

### Oslo

**TER00047** - 4 W - 400 lm / 2700 K / CRI >80

#### DESCRIPTION

Oslo Floor is a floor lamp made of painted aluminium; it is the ideal floor lamp for reading thanks to its height reduced to 150 cm. and for the possibility of aim its head; this is adjustable by rotating on its attachment, while the stem tilts by rotating on a special hinge. The on/off switch is positioned frontally on the stem; equipped with E27 lamp socket, Oslo emits a concentrated light beam. It comes complete with power cable in light gray or black textile coating, maximum length 180 cm.

Switch

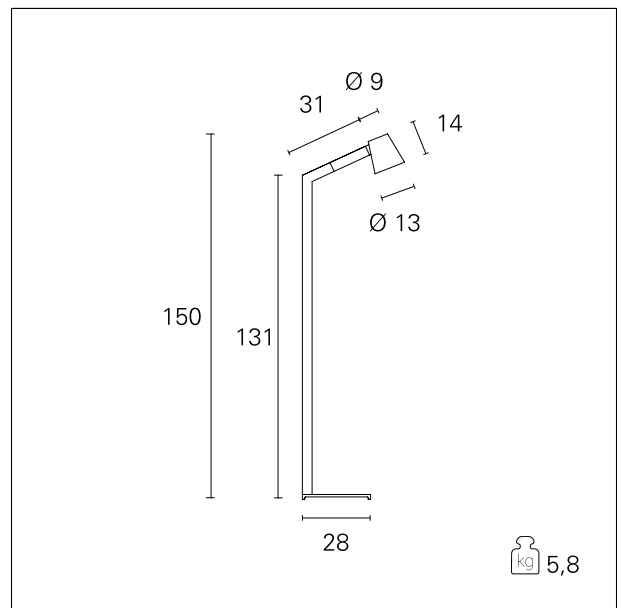
On+Off



#### PRODUCTS CHARACTERISTICS

installation type  
material  
Finish  
Color  
Power  
Lumen output - Full emission  
net weight

**Floor Lamps**  
**Aluminum**  
**Painted**  
**White**  
**4 W**  
**400 lm**  
**5,8 kg.**



#### ELECTRICAL CHARACTERISTICS

feeding  
driver  
Insulation class

**220÷240 V**  
**On+Off**  
**Class II**

#### MECHANICAL CHARACTERISTICS

product IP rate

**IP20**

### Oslo

**TER00047** - 4 W - 400 lm / 2700 K / CRI >80

---

#### LED SOURCE DETAILS

---

led source type	<b>LED Filament</b>
Light source connection	<b>E14</b>
Light temperature	<b>2700 K</b>
CRI	<b>CRI &gt;80</b>

#### DRIVER CHARACTERISTICS

---

driver	<b>On+Off</b>
--------	---------------