

Oslo

TER00046 - 4 W - 400 lm / 2700 K / CRI >80

DESCRIPTION

Oslo Floor is a floor lamp made of painted aluminium; it is the ideal floor lamp for reading thanks to its height reduced to 150 cm. and for the possibility of aim its head; this is adjustable by rotating on its attachment, while the stem tilts by rotating on a special hinge. The on/off switch is positioned frontally on the stem; equipped with E27 lamp socket, Oslo emits a concentrated light beam. It comes complete with power cable in light gray or black textile coating, maximum length 180 cm.

Switch

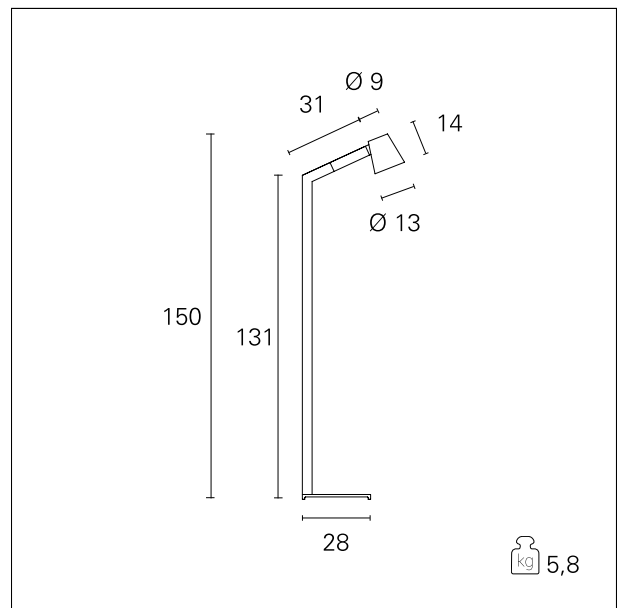
On+Off



PRODUCTS CHARACTERISTICS

installation type
material
Finish
Color
Power
Lumen output - Full emission
net weight

Floor Lamps
Aluminum
Painted
Black
4 W
400 lm
5,8 kg.



ELECTRICAL CHARACTERISTICS

feeding
driver
Insulation class

220÷240 V
On+Off
Class II

MECHANICAL CHARACTERISTICS

product IP rate

IP20

Oslo

TER00046 - 4 W - 400 lm / 2700 K / CRI >80

LED SOURCE DETAILS

led source type	LED Filament
Light source connection	E14
Light temperature	2700 K
CRI	CRI >80

DRIVER CHARACTERISTICS

driver	On+Off
--------	---------------