

Urban

TAV48000 - Urban table - 4 W - 400 lm / 2700 K / CRI >80

DESCRIPTION

Urban is a table lamp made of smoothed concrete. The leather handle allows a secure grip for any movement and characterizes its aesthetic appearance by contrasting different materials. Complete with lamp with E27 socket, it is equipped with a power cable in black textile coating, 160 cm long, and on/off switch located on the power cable.

Switch

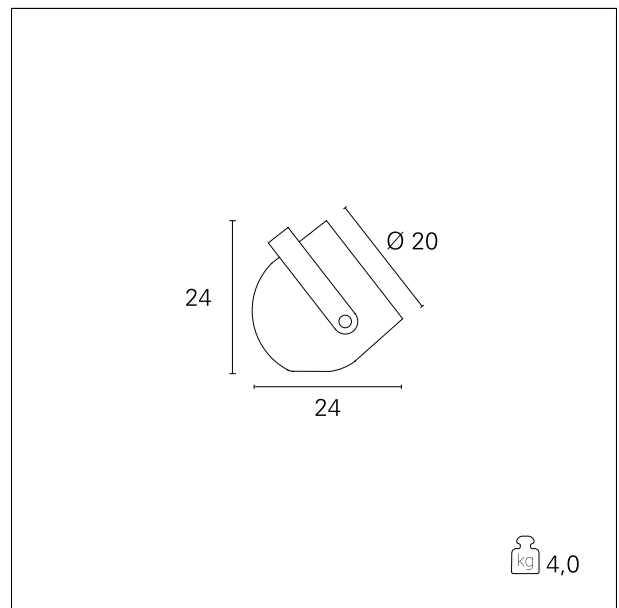
On÷Off



PRODUCTS CHARACTERISTICS

installation type
material
Finish
Color
Power
Lumen output - Full emission
net weight

Table lamps
Concrete
Smoothed
Gray / Black
4 W
400 lm
4 kg.



ELECTRICAL CHARACTERISTICS

feeding
driver
Insulation class

220÷240 V
On÷Off
Class II

MECHANICAL CHARACTERISTICS

product IP rate

IP20

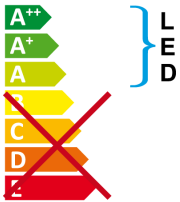
Urban

TAV48000 - Urban table - 4 W - 400 lm / 2700 K / CRI >80

ENERGY CLASSIFICATION



This luminaire contains built-in LED lamps.



The lamps cannot be changed in the luminaire.

LED SOURCE DETAILS

led source type	LED Filament
Light source connection	E27
Light temperature	2700 K
CRI	CRI >80

DRIVER CHARACTERISTICS

driver	On+Off
--------	---------------

LIGHTING DETAILS

emission	Direct
----------	---------------