

Oslo

TAV00072 - Oslo table - 4 W - 400 lm / 2700 K / CRI >80

DESCRIPTION

Oslo Table is a table lamp made of painted aluminium; it is characterized by the possibility of aiming the head that rotates on its attachment, while the stem tilts by rotating on a special hinge. The on/off switch is located on the base; equipped with E27 lamp socket, it emits a concentrated light beam. It comes complete with power cable in light gray or black textile coating, maximum length 180 cm.

Switch

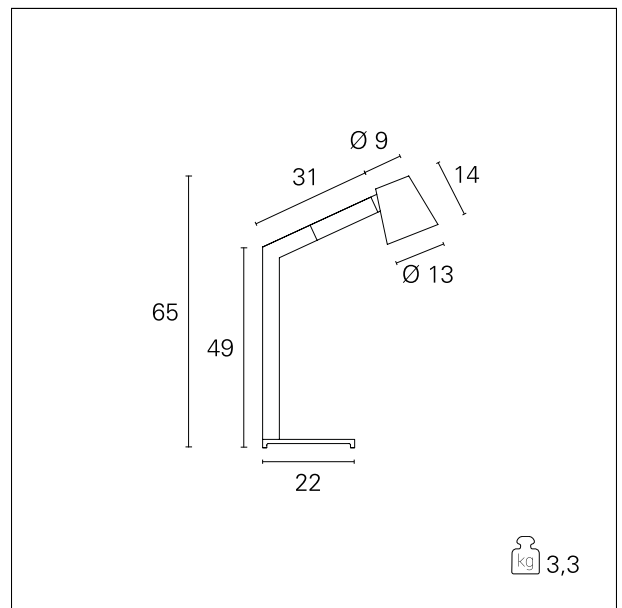
On+Off



PRODUCTS CHARACTERISTICS

installation type
material
Finish
Color
Power
Lumen output - Full emission
net weight

Table lamps
Aluminum
Painted
White
4 W
400 lm
3,3 kg.



ELECTRICAL CHARACTERISTICS

feeding
driver
Insulation class

220÷240 V
On+Off
Class II

MECHANICAL CHARACTERISTICS

product IP rate

IP20

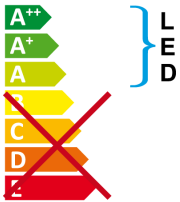
Oslo

TAV00072 - Oslo table - 4 W - 400 lm / 2700 K / CRI >80

ENERGY CLASSIFICATION



This luminaire contains built-in LED lamps.



The lamps cannot be changed in the luminaire.

LED SOURCE DETAILS

led source type	LED Filament
Light source connection	E14
Light temperature	2700 K
CRI	CRI >80

DRIVER CHARACTERISTICS

driver	On+Off
--------	---------------

LIGHTING DETAILS

emission	Direct
----------	---------------