

Milla

TAV00040 - 5 W - 340 lm / 3000 K / CRI >80

DESCRIPTION

Milla is a dimmable table lamp made of painted aluminium. The particular stem includes the LED light source, which is completely hidden from view to avoid any form of direct glare. The high efficiency LED source is integrated into the fixture as well as the electronic driver. Its switching on/off and dimming is made by a "soft touch" button located on the base. White silicone flat power cord, maximum length 200 cm..

Switch

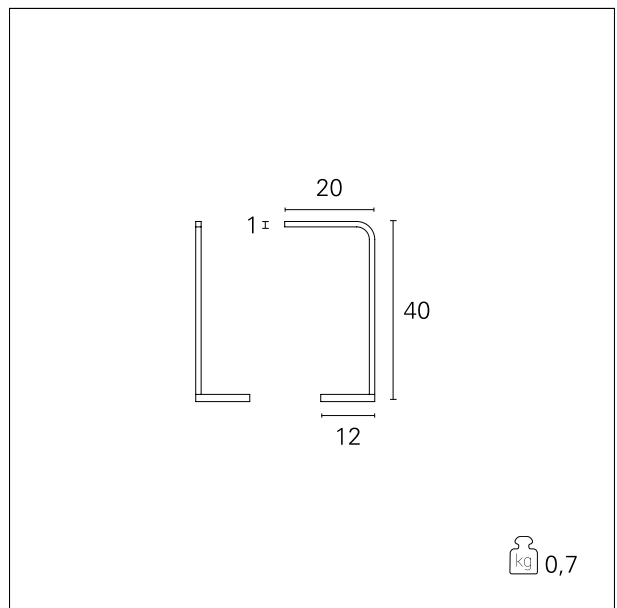
On+Off



PRODUCTS CHARACTERISTICS

installation type
material
Finish
Color
Power
Lumen output - Full emission
net weight

Table lamps
Aluminum
Painted
White
5 W
340 lm
0,70 kg.



ELECTRICAL CHARACTERISTICS

feeding
driver
Insulation class

220÷240 V
On+Off
Class II

MECHANICAL CHARACTERISTICS

product IP rate

IP20

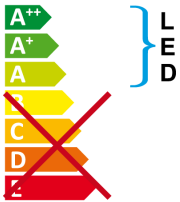
Milla

TAV00040 - 5 W - 340 lm / 3000 K / CRI >80

ENERGY CLASSIFICATION



This luminaire contains built-in LED lamps.



The lamps cannot be changed in the luminaire.

LED SOURCE DETAILS

| | |
|-------------------------|-------------------|
| led source type | SMD Led |
| Light source connection | LED |
| Light temperature | 3000 K |
| CRI | CRI >80 |

DRIVER CHARACTERISTICS

| | |
|--------|---------------|
| driver | On+Off |
|--------|---------------|

LIGHTING DETAILS

| | |
|----------|---------------|
| emission | Direct |
|----------|---------------|