

Alter

TAV00005 - 5 W - 410 lm / 4000 K / CRI >80

DESCRIPTION

Alter is a “pantograph” table lamp made of painted metal. Its adjustable arm is balanced by the adjustable optical head. Alter lights the desk thanks to a CoB Led powered by an integrated driver. It is completed with a 150 cm black silicone power cable and an on/off switch located under the head of the lamp body.

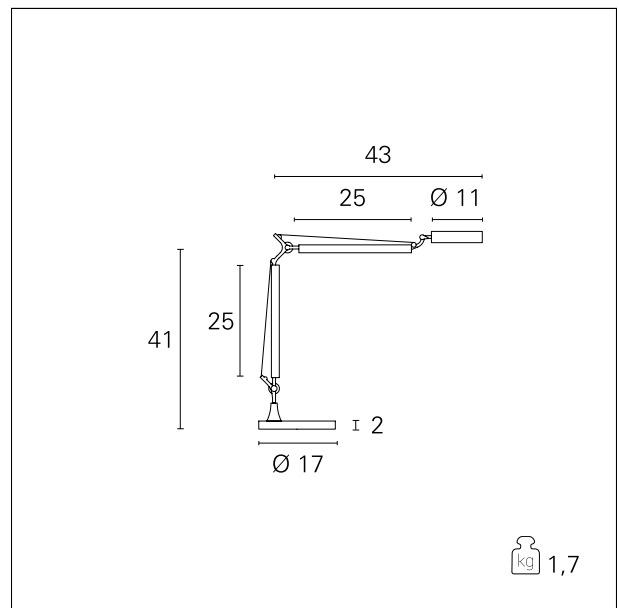
Switch **On÷Off**



PRODUCTS CHARACTERISTICS

installation type
material
Finish
Color
Power
Lumen output - Full emission
net weight

Desk Lights
Metal
Painted
Chrome
5 W
410 lm
1,7 kg.



ELECTRICAL CHARACTERISTICS

feeding **220÷240 V**
driver **On÷Off**
Insulation class **Class II**

MECHANICAL CHARACTERISTICS

product IP rate **IP20**

Alter

TAV00005 - 5 W - 410 lm / 4000 K / CRI >80

LED SOURCE DETAILS

led source type	CoB Led
Light source connection	LED
Light temperature	4000 K
CRI	CRI >80

DRIVER CHARACTERISTICS

driver	On+Off
--------	---------------

LIGHTING DETAILS

emission	Direct
----------	---------------