

Alter

TAV00004 - 5 W - 410 lm / 4000 K / CRI >80

DESCRIPTION

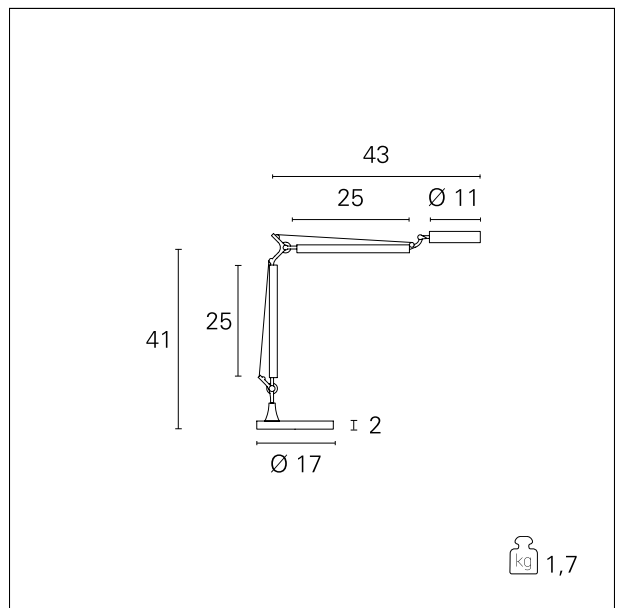
Alter is a “pantograph” table lamp made of painted metal. Its adjustable arm is balanced by the adjustable optical head. Alter lights the desk thanks to a CoB Led powered by an integrated driver. It is completed with a 150 cm black silicone power cable and an on/off switch located under the head of the lamp body.

Switch **On÷Off**



PRODUCTS CHARACTERISTICS

installation type	Desk Lights
material	Metal
Finish	Painted
Color	Black
Power	5 W
Lumen output - Full emission	410 lm
net weight	1,7 kg.



ELECTRICAL CHARACTERISTICS

feeding	220÷240 V
driver	On÷Off
Insulation class	Class II

MECHANICAL CHARACTERISTICS

product IP rate	IP20
-----------------	-------------

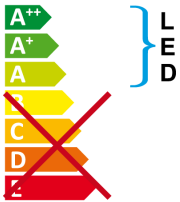
Alter

TAV00004 - 5 W - 410 lm / 4000 K / CRI >80

ENERGY CLASSIFICATION



This luminaire contains built-in LED lamps.



The lamps cannot be changed in the luminaire.

LED SOURCE DETAILS

led source type	CoB Led
Light source connection	LED
Light temperature	4000 K
CRI	CRI >80

DRIVER CHARACTERISTICS

driver	On+Off
--------	---------------

LIGHTING DETAILS

emission	Direct
----------	---------------