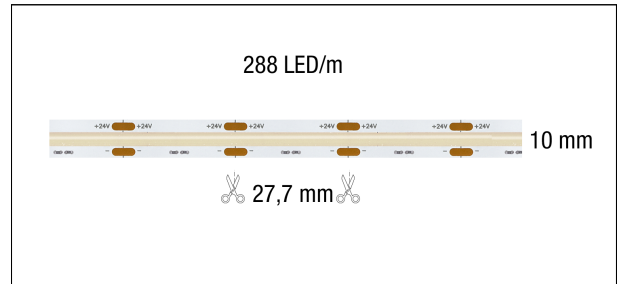


CoB EVO

STP21364 - 19,2 W/m - PCB size 10 mm. HIGH EFFICENCY - 288 LED/m / 19,2 W/m / 3000 K / CRI > 90

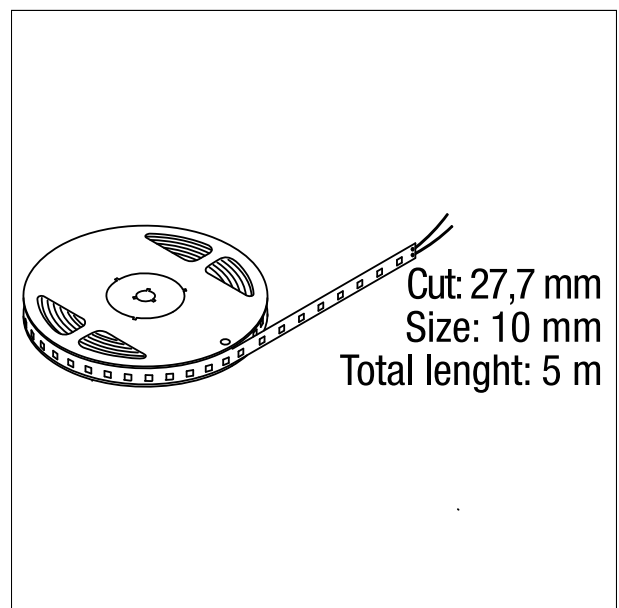
DESCRIPTION

New production systems induced by technological development expand potential and quality in the CoB -STRIP LED. The CoB EVO strip improves the quality of traditional product through an innovative production process. The LED chip is connected directly to the substrate by automatic systems. This method includes a second phase that allows the immediate extrusion of the entire strip led. You are no longer subject to the semi-automatic glue dispensing process. Improves the mechanical strength of the product, stability and uniformity of the luminous fluxes are at the highest levels for quality and durability



PRODUCTS CHARACTERISTICS

Power	19,2 W/m
Lumen output - Full emission	2600 lm/m
Efficacy	140 lm/W



ELECTRICAL CHARACTERISTICS

feeding	24 V DC
Insulation class	Class III

MECHANICAL CHARACTERISTICS

product IP rate	IP20
-----------------	------

CoB EVO

STP21364 - 19,2 W/m - PCB size 10 mm. HIGH EFFICENCY - 288 LED/m / 19,2 W/m / 3000 K / CRI > 90

LED SOURCE DETAILS

led source type	CoB linear
Light temperature	3000 K
CRI	CRI > 90