

Tunable

STP21005 - 9,6 W/m - Cut 100 mm. PCB size 8 mm. / 2700 ÷ 5000 K

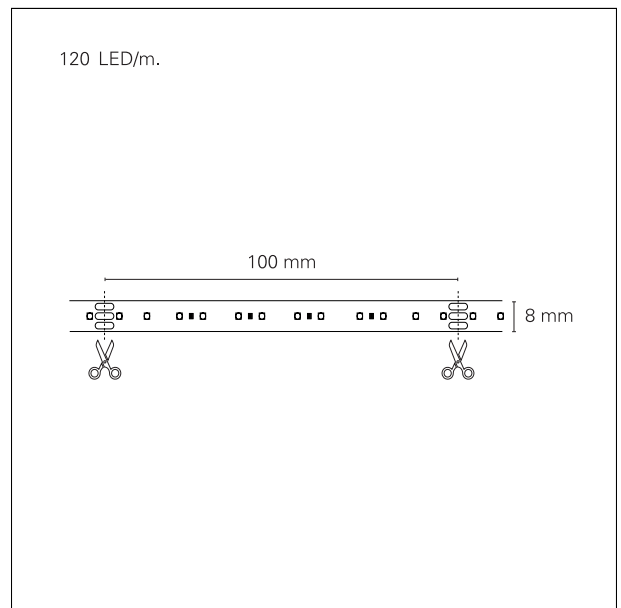
DESCRIPTION

The dynamic chlorinated Striped have cutting-edge technological contents: equipped with separate circuits that allow the mixing of the luminous flux, they allow to obtain infinite chromatic variables in the white color or a perfect mixing of the color. The color temperature scale can vary between 2700 K and 5000 K with a gradual transition through the universe of intermediate mixtures.



PRODUCTS CHARACTERISTICS

installation type	Stripled
Power	9,6 W/m
Lumen output - Full emission	330 lm/m ÷ 360 lm/m



ELECTRICAL CHARACTERISTICS

feeding	24 V DC
Insulation class	Class III

MECHANICAL CHARACTERISTICS

product IP rate	IP20
-----------------	-------------

Tunable

STP21005 - 9,6 W/m - Cut 100 mm. PCB size 8 mm. / 2700 ÷ 5000 K

LED SOURCE DETAILS

led source type	SMD LED - 2216
Light temperature	2700 ÷ 5000 K