

### Stek

SOS11111 - 4,5 W - 410 lm / 3000 K / CRI > 80

#### DESCRIPTION

Stek is a pendant luminaire available in two different sizes: the body, in matt white or matt black painted aluminium, can be 60 or 80 cm long. The diffusing screen and the black cut-off allow perfect shielding of the integrated LED source, avoiding direct glare from all directions of observation. Stek is the ideal fixture for extremely defined spotlight effects. Equipped with an electronic driver integrated in the luminaire, it is complete with a transparent PVC suspension cable, maximum length 350 cm.

Switch

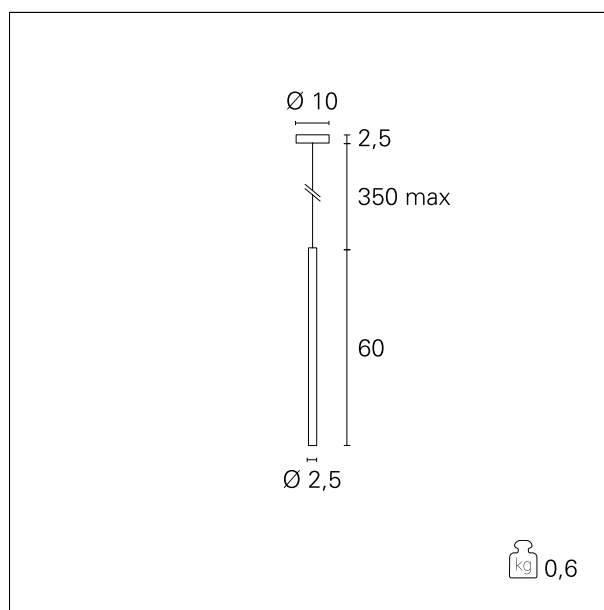
On÷Off



#### PRODUCTS CHARACTERISTICS

installation type  
material  
Finish  
Color  
Power  
Lumen output - Full emission  
Dimensions  
net weight

**High Bays**  
**Aluminum**  
**Painted**  
**White**  
**4,5 W**  
**410 lm**  
**h. 60 cm.**  
**0,60 kg.**



#### ELECTRICAL CHARACTERISTICS

feeding  
driver  
Insulation class

**220÷240 V**  
**On÷Off**  
**Class I**

#### MECHANICAL CHARACTERISTICS

product IP rate

**IP20**

### Stek

SOS11111 - 4,5 W - 410 lm / 3000 K / CRI > 80

#### LED SOURCE DETAILS

led source type	<b>Power Led</b>
Light temperature	<b>3000 K</b>
CRI	<b>CRI &gt; 80</b>

#### DRIVER CHARACTERISTICS

driver	<b>On+Off</b>
--------	---------------

#### LIGHTING DETAILS

emission optic	<b>Downlight 30°</b>
----------------	--------------------------

#### PHOTOMETRIC

