

Lunar

SOS00056 - 20 W - 1910 lm / 3000 K / CRI > 80

DESCRIPTION

Pendant luminaire. Matt white painted aluminium body. PMMA diffusing screen. High efficiency LED light source. For diffused light effects. Electronic driver integrated in the fixture. Adjustable diffuser. Other power gears available upon request and after checking feasibility. White PVC suspension cable. Maximum length 250 cm.

Switch

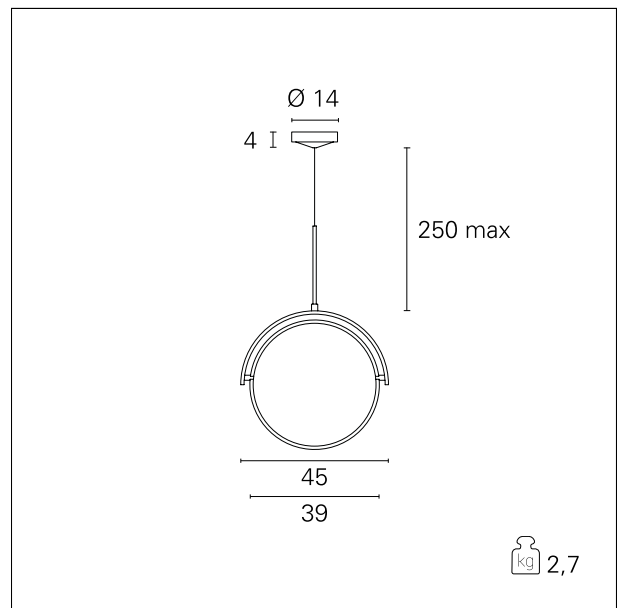
On+Off



PRODUCTS CHARACTERISTICS

installation type
material
Finish
Color
Power
Lumen output - Full emission
net weight

High Bays
Metal
Painted
White
20 W
1910 lm
2,7 kg.



ELECTRICAL CHARACTERISTICS

feeding
driver
Insulation class

220÷240 V
On+Off
Class I

MECHANICAL CHARACTERISTICS

product IP rate

IP20

Lunar

SOS00056 - 20 W - 1910 lm / 3000 K / CRI > 80

LED SOURCE DETAILS

led source type	SMD Led
Light source connection	LED
Light temperature	3000 K
CRI	CRI > 80

DRIVER CHARACTERISTICS

driver	On+Off
--------	---------------

LIGHTING DETAILS

emission	Downlight
optic	110°

PHOTOMETRIC

