

Rod

SOS00053 - 6 W - 450 lm / 2700 K / CRI > 80

DESCRIPTION

Rod Pendant is suspended and can be used in coordination with the Rod Floor versions. Made in matt white or matt black painted metal, it is complete with E27 lamp socket and matching power cable. It is available in two versions, with single suspension and triple suspension; the latter version is equipped with a single canopy for all three suspensions. Rod Pendant is supplied with a Filament LED bulb lamp that completes it and characterizes its design.

Switch

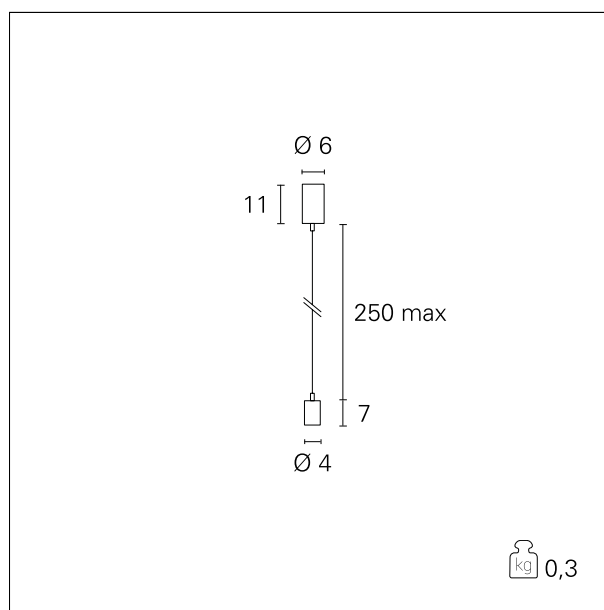
On+Off



PRODUCTS CHARACTERISTICS

installation type
material
Color
Power
Lumen output - Full emission
net weight

High Bays
Metal
White
6 W
450 lm
0,30 kg.



ELECTRICAL CHARACTERISTICS

feeding
driver
Insulation class

220÷240 V
On+Off
Class I

MECHANICAL CHARACTERISTICS

product IP rate

IP20

Rod

SOS00053 - 6 W - 450 lm / 2700 K / CRI > 80

LED SOURCE DETAILS

led source type	LED Filament
Light source connection	E27
Light temperature	2700 K
CRI	CRI > 80

DRIVER CHARACTERISTICS

driver	On+Off
--------	---------------

LIGHTING DETAILS

emission	Downlight
----------	------------------