

### Rod

**SOS00049** - 6 W - 450 lm / 2700 K / CRI > 80

#### DESCRIPTION

Rod Pendant is suspended and can be used in coordination with the Rod Floor versions. Made in matt white or matt black painted metal, it is complete with E27 lamp socket and matching power cable. It is available in two versions, with single suspension and triple suspension; the latter version is equipped with a single canopy for all three suspensions. Rod Pendant is supplied with a Filament LED bulb lamp that completes it and characterizes its design.

Switch

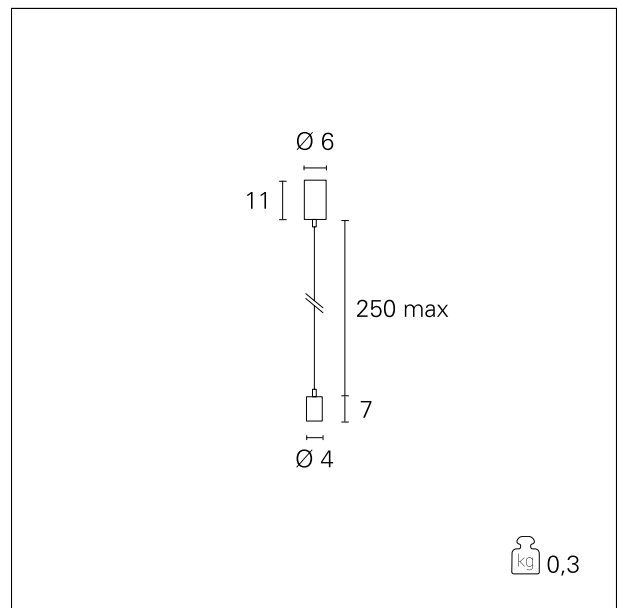
On+Off



#### PRODUCTS CHARACTERISTICS

installation type  
material  
Color  
Power  
Lumen output - Full emission  
net weight

**High Bays**  
**Metal**  
**Black**  
**6 W**  
**450 lm**  
**0,30 kg.**



#### ELECTRICAL CHARACTERISTICS

feeding  
driver  
Insulation class

**220÷240 V**  
**On+Off**  
**Class I**

#### MECHANICAL CHARACTERISTICS

product IP rate

**IP20**

### Rod

**SOS00049** - 6 W - 450 lm / 2700 K / CRI > 80

#### LED SOURCE DETAILS

led source type	<b>LED Filament</b>
Light source connection	<b>E27</b>
Light temperature	<b>2700 K</b>
CRI	<b>CRI &gt; 80</b>

#### DRIVER CHARACTERISTICS

driver	<b>On+Off</b>
--------	---------------

#### LIGHTING DETAILS

emission	<b>Downlight</b>
----------	------------------