

### Pill

RTL48110 - 2,5 W / 4000 K / CRI >80

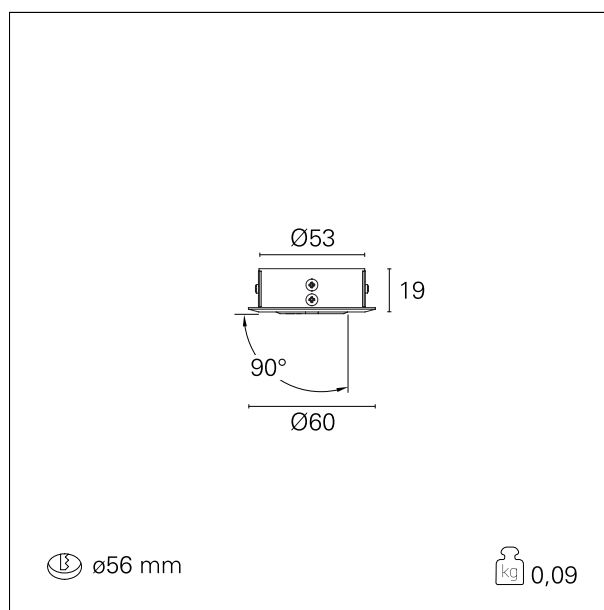
#### DESCRIPTION

Adjustable recessed luminaire for indoor installation. Black anodized aluminum body and steel springs fixing system. Three secondary optics (lenses) and two colour temperature available. Thanks to small height and the small dimensions it is ideal for lighting of display cases and niches, as well as for installation in shelves and everywhere it's required reduced thickness.



#### PRODUCTS CHARACTERISTICS

installation type	<b>Recessed Spotlights</b>
material	<b>Aluminum</b>
Finish	<b>Anodized</b>
Color	<b>Black</b>
Power	<b>2,5 W</b>
Lumen output - Full emission	<b>290 lm</b>
Efficacy	<b>97 lm/W</b>
Diameter	<b>ø 60 mm.</b>
net weight	<b>0,09 kg.</b>



#### ELECTRICAL CHARACTERISTICS

feeding	<b>700 mA CC</b>
Insulation class	<b>Class III</b>

#### MECHANICAL CHARACTERISTICS

product IP rate	<b>IP40</b>
-----------------	-------------

## Pill

RTL48110 - 2,5 W / 4000 K / CRI >80

### HOLE RECESS DIMENSIONS

hole recess diameter **ø 56 mm.**

### LED SOURCE DETAILS

led source type	<b>Power Led</b>
Photobiological risk	<b>RG 2 Moderate risk ( IEC 62471 )</b>
LED current	<b>700 mA</b>
Light temperature	<b>4000 K</b>
CRI	<b>CRI &gt;80</b>

### LIGHTING DETAILS

emission	<b>rotationally symmetrical</b>
luminous effect	<b>spot</b>
optic	<b>10°</b>
Beam angle - direct	<b>10°</b>

### PHOTOMETRIC

