

Ska

RTL46408DA - 42 W - 36° / 4000 K / CRI > 90

DESCRIPTION

The SKA projectors are particularly suitable for the lighting of commercial environments such as shops and malls. The high lighting performance allows adequate illumination of the exhibition surfaces and exposed objects. The SKA projectors are equipped with selected drivers and CoB LEDs (prime brand) and the light color qualities (CRI > 90 and SDCM < 3) guarantee an excellent color rendering of the illuminated objects. The light emission is managed with high efficacy interchangeable optics to obtain maximum efficiency and maximum flexibility. Available On / Off and DALI versions.

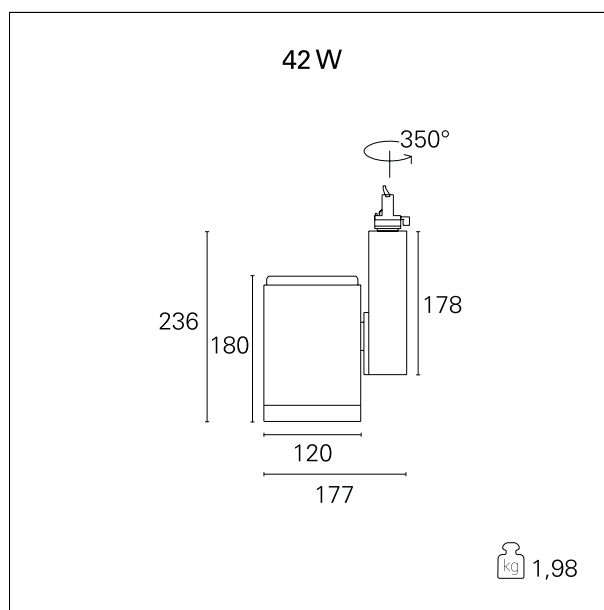


Switch

DALI

PRODUCTS CHARACTERISTICS

installation type	Proiettori Binario / Soffitto
material	Alluminio
Color	Black
Power	42 W
Lumen output - Direct emission	4350 lm
Lumen output - Indirect emission	\
Lumen output - Full emission	4350 lm
Efficacy	104 lm/W
Dimensions	177 x 236 mm.
net weight	1,95 kg



ELECTRICAL CHARACTERISTICS

feeding	220÷240 V
driver	DALI
Insulation class	Class I

MECHANICAL CHARACTERISTICS

product IP rate	IP20
optical compartment IP rate	IP20

Ska

RTL46408DA - 42 W - 36° / 4000 K / CRI > 90

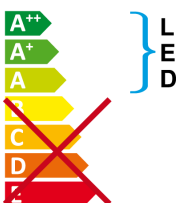
recessed compartment IP rate

\

ENERGY CLASSIFICATION



This luminaire contains built-in LED lamps.



LED

The lamps cannot be changed in the luminaire.

LED SOURCE DETAILS

led source type	CoB Led
LED brand	Bridgelux
Energy class	LED
Service lifetime	L80 / B20 - 50.000 h.
Light temperature	4000 K
CRI	CRI > 90
SDCM	< 3

DRIVER CHARACTERISTICS

driver	DALI
Operating temperature	-20°C ÷ 45°C

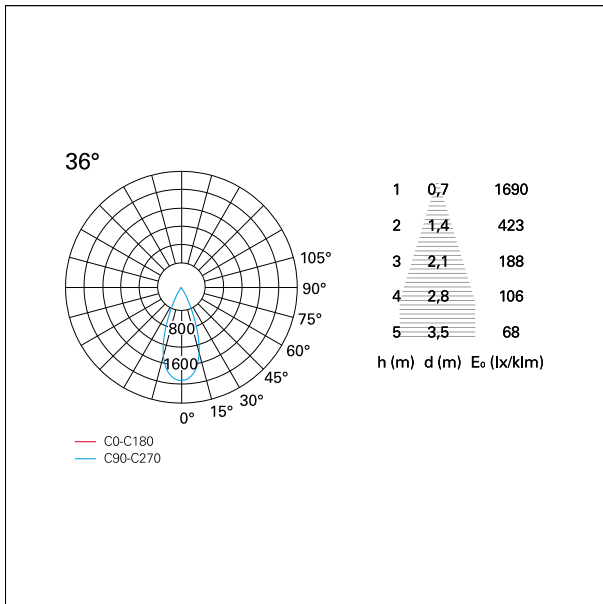
LIGHTING DETAILS

emission	Direct
luminous effect	Projected
optic	36°
Beam angle - direct	36°
UGR	\
Cut-off	32°

Ska

RTL46408DA - 42 W - 36° / 4000 K / CRI > 90

PHOTOMETRIC



WARRANTY

period

5 years