

### Ska

RTL46406DA - 42 W - 36° / 3000 K / CRI > 90

#### DESCRIPTION

The SKA projectors are particularly suitable for the lighting of commercial environments such as shops and malls. The high lighting performance allows adequate illumination of the exhibition surfaces and exposed objects. The SKA projectors are equipped with selected drivers and CoB LEDs (prime brand) and the light color qualities (CRI > 90 and SDCM < 3) guarantee an excellent color rendering of the illuminated objects. The light emission is managed with high efficacy interchangeable optics to obtain maximum efficiency and maximum flexibility. Available On / Off and DALI versions.

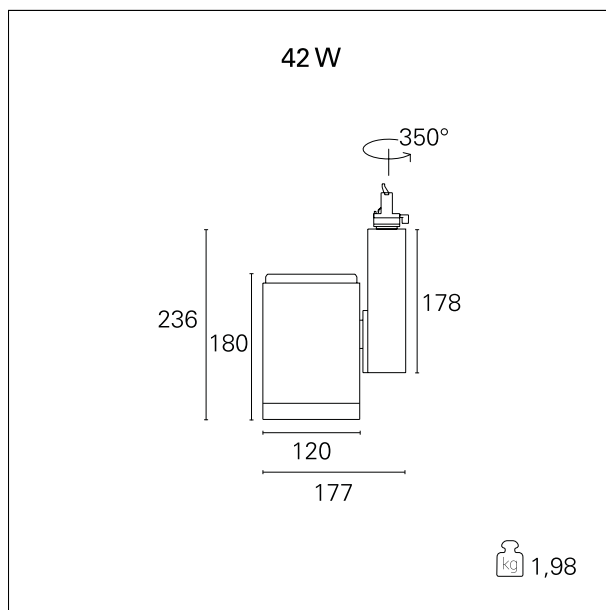


Switch

DALI

#### PRODUCTS CHARACTERISTICS

installation type	<b>Proiettori Binario / Soffitto</b>
material	<b>Alluminio</b>
Color	<b>Black</b>
Power	<b>42 W</b>
Lumen output - Direct emission	<b>4285 lm</b>
Lumen output - Indirect emission	<b>\</b>
Lumen output - Full emission	<b>4285 lm</b>
Efficacy	<b>102 lm/W</b>
Dimensions	<b>177 x 236 mm.</b>
net weight	<b>1,95 kg</b>



#### ELECTRICAL CHARACTERISTICS

feeding	<b>220÷240 V</b>
driver	<b>DALI</b>
Insulation class	<b>Class I</b>

#### MECHANICAL CHARACTERISTICS

product IP rate	<b>IP20</b>
optical compartment IP rate	<b>IP20</b>

### Ska

RTL46406DA - 42 W - 36° / 3000 K / CRI > 90

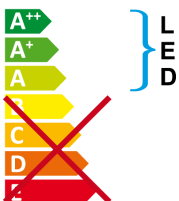
recessed compartment IP rate

\

### ENERGY CLASSIFICATION



This luminaire contains built-in LED lamps.



LED

The lamps cannot be changed in the luminaire.

### LED SOURCE DETAILS

led source type	<b>CoB Led</b>
LED brand	<b>Bridgelux</b>
Energy class	<b>LED</b>
Service lifetime	<b>L80 / B20 - 50.000 h.</b>
Light temperature	<b>3000 K</b>
CRI	<b>CRI &gt; 90</b>
SDCM	<b>&lt; 3</b>

### DRIVER CHARACTERISTICS

driver	<b>DALI</b>
Operating temperature	<b>-20°C ÷ 45°C</b>

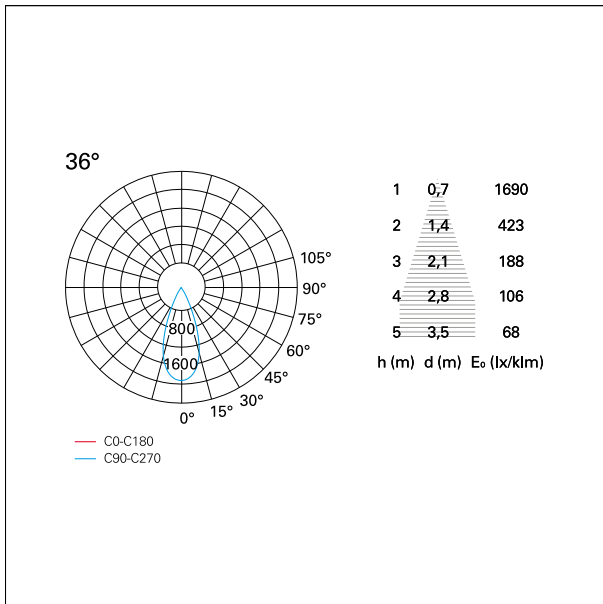
### LIGHTING DETAILS

emission	<b>Direct</b>
luminous effect	<b>Projected</b>
optic	<b>36°</b>
Beam angle - direct	<b>36°</b>
UGR	<b>\</b>
Cut-off	<b>32°</b>

### Ska

RTL46406DA - 42 W - 36° / 3000 K / CRI > 90

### PHOTOMETRIC



### WARRANTY

period

**5 years**