

Ska

RTL46210DA - 25 W - 2400 lmen - 60° - Wide / 25 W / 3000 K / CRI > 92

DESCRIPTION

The SKA projectors are particularly suitable for the lighting of commercial environments such as shops and malls. The high lighting performance allows adequate illumination of the exhibition surfaces and exposed objects. The SKA projectors are equipped with selected drivers and CoB LEDs (prime brand) and the light color qualities (CRI > 90 and SDCM < 3) guarantee an excellent color rendering of the illuminated objects. The light emission is managed with high efficacy interchangeable optics to obtain maximum efficiency and maximum flexibility. Available On / Off and DALI versions.



Switch

DALI

PRODUCTS CHARACTERISTICS

installation type

Track / Ceiling

material

Aluminum

Color

Black

Power

25 W

Lumen output - Full emission

2434 lm

Efficacy

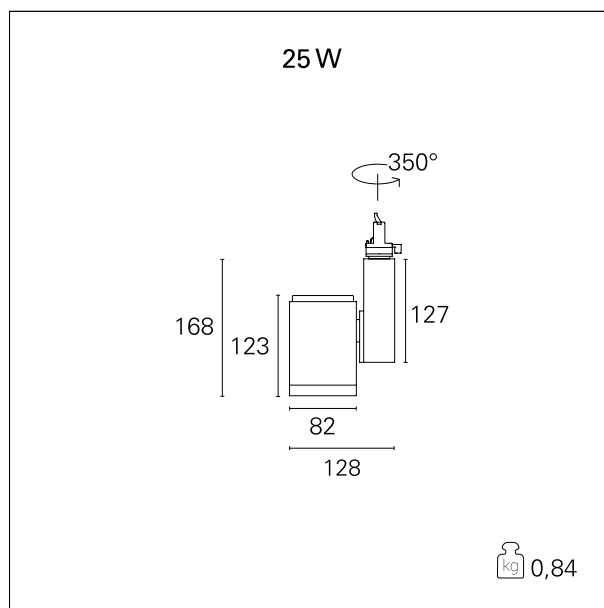
97 lm/W

Dimensions

128 x 168 mm.

net weight

0,85 kg.



ELECTRICAL CHARACTERISTICS

feeding

220÷240 V

driver

DALI

Insulation class

Class I

MECHANICAL CHARACTERISTICS

product IP rate

IP20

Ska

RTL46210DA - 25 W - 2400 lmen - 60° - Wide / 25 W / 3000 K / CRI > 92

ENERGY CLASSIFICATION



This luminaire contains built-in LED lamps.



The lamps cannot be changed in the luminaire.

LED SOURCE DETAILS

led source type	CoB Led
LED brand	Bridgelux or equivalent
LED current	600 mA
Service lifetime	L80 / B20 - 50.000 h.
Light temperature	3000 K
CRI	CRI > 92
SDCM	< 3

DRIVER CHARACTERISTICS

driver	DALI
Operating temperature	-20°C ÷ 45°C

LIGHTING DETAILS

luminous effect	wide
Beam angle - direct	60°
Cut Hood	32°

Ska

RTL46210DA - 25 W - 2400 lmen - 60° - Wide / 25 W / 3000 K / CRI > 92

PHOTOMETRIC

