

Slim

RTL43213CA - 20 W - 1900 lumen - 50° - Wide / 20 W / 3000 K / CRI > 90

DESCRIPTION

The Slim series projectors are compact and “on board” driver equipped for an extremely clean and essential design. The light emitted stands out for its excellent beam diffusion and high color quality (CRI > 90 / MacAdam < 3). These characteristics make them particularly suitable for lighting for shops, exhibition areas and all those environments where the color rendering and the quality of the light beams are fundamental requirements. The interchangeable optics are semidiffused and the direct glare is totally controlled thanks to the deep shielding with a cut-off of 36° that characterizes the front end.



Switch

Casambi

PRODUCTS CHARACTERISTICS

installation type

Track / Ceiling

material

Aluminum

Color

White

Power

20 W

Lumen output - Full emission

1964 lm

Efficacy

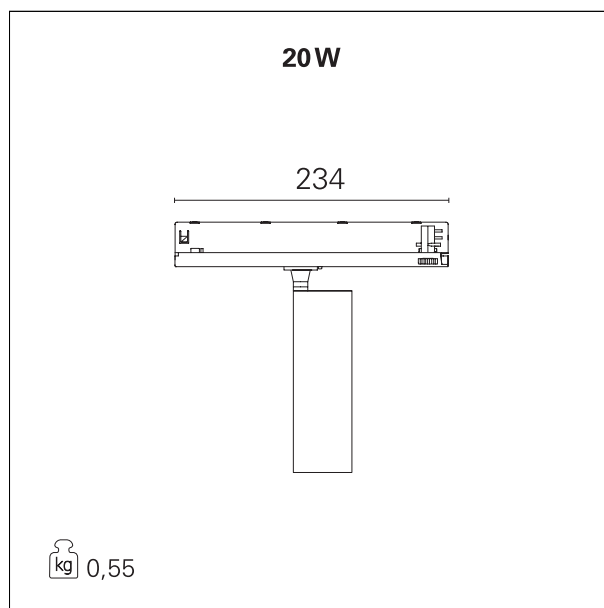
98 lm/W

Dimensions

55 x 235 mm.

net weight

0,48 kg.



ELECTRICAL CHARACTERISTICS

feeding

220÷240 V

driver

Casambi

Insulation class

Class I

MECHANICAL CHARACTERISTICS

product IP rate

IP20

IK

IK02

Slim

RTL43213CA - 20 W - 1900 lumen - 50° - Wide / 20 W / 3000 K / CRI > 90

LED SOURCE DETAILS

| | |
|----------------------|------------------------------------|
| led source type | CoB Led |
| Photobiological risk | RG 1 Low risk (IEC 62471) |
| LED brand | Cree or equivalent |
| LED current | 500 mA |
| LED voltage | 37 V |
| Service lifetime | L80 / B20 - 50.000 h. |
| Light temperature | 3000 K |
| CRI | CRI > 90 |
| SDCM | < 3 |

DRIVER CHARACTERISTICS

| | |
|-----------------------|---------------------|
| driver | Casambi |
| Power factor | > 0,9 |
| Operating temperature | -20°C ÷ 50°C |

LIGHTING DETAILS

| | |
|---------------------|-------------|
| luminous effect | wide |
| Beam angle - direct | 50° |
| Cut Hood | 36° |

PHOTOMETRIC

