

### Slim

**RTL43116** - 12 W - 1100 lumen - 50° - Wide / 12 W / 4000 K / CRI > 90

#### DESCRIPTION

The Slim series projectors are compact and “on board” driver equipped for an extremely clean and essential design. The light emitted stands out for its excellent beam diffusion and high color quality (CRI > 90 / MacAdam < 3). These characteristics make them particularly suitable for lighting for shops, exhibition areas and all those environments where the color rendering and the quality of the light beams are fundamental requirements. The interchangeable optics are semidiffused and the direct glare is totally controlled thanks to the deep shielding with a cut-off of 36° that characterizes the front end.



Switch

On:Off

#### PRODUCTS CHARACTERISTICS

installation type

**Track / Ceiling projectors**

material

**Aluminum**

Color

**Black**

Power

**12 W**

Lumen output - Full emission

**1165 lm**

Efficacy

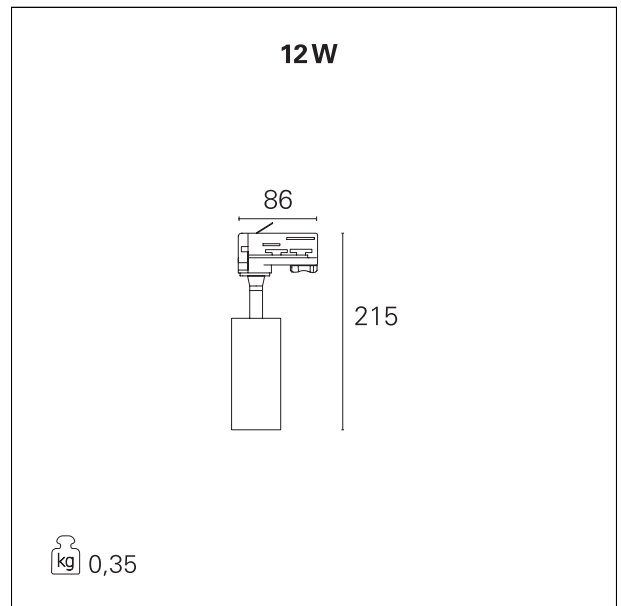
**97 lm/W**

Dimensions

**52 x 214 mm.**

net weight

**0,35 kg.**



#### ELECTRICAL CHARACTERISTICS

feeding

**220÷240 V**

driver

**On:Off**

Insulation class

**Class I**

#### MECHANICAL CHARACTERISTICS

product IP rate

**IP20**

IK

**IK02**

### Slim

**RTL43116** - 12 W - 1100 lumen - 50° - Wide / 12 W / 4000 K / CRI > 90

#### LED SOURCE DETAILS

|                      |   |
|----------------------|---|
| led source type      | <b>CoB Led</b>                          |
| Photobiological risk | <b>RG 2 Moderate risk ( IEC 62471 )</b> |
| LED brand            | <b>Cree or equivalent</b>               |
| LED current          | <b>300 mA</b>                           |
| LED voltage          | <b>37 V</b>                             |
| Service lifetime     | <b>L80 / B20 - 50.000 h.</b>            |
| Light temperature    | <b>4000 K</b>                           |
| CRI                  | <b>CRI &gt; 90</b>                      |
| SDCM                 | <b>&lt; 3</b>                           |

#### DRIVER CHARACTERISTICS

|                       |                     |
|-----------------------|---------------------|
| driver                | <b>On÷Off</b>       |
| Power factor          | <b>&gt; 0,5</b>     |
| Operating temperature | <b>-20°C ÷ 45°C</b> |

#### LIGHTING DETAILS

|                     |             |
|---------------------|-------------|
| luminous effect     | <b>wide</b> |
| Beam angle - direct | <b>50°</b>  |
| Cut Hood            | <b>36°</b>  |

#### PHOTOMETRIC

