

Slim

RTL43108PD - 12 W - 1100 lumen - 24° - Flood / 12 W / 4000 K / CRI > 90

DESCRIPTION

The Slim series projectors are compact and “on board” driver equipped for an extremely clean and essential design. The light emitted stands out for its excellent beam diffusion and high color quality (CRI > 90 / MacAdam < 3). These characteristics make them particularly suitable for lighting for shops, exhibition areas and all those environments where the color rendering and the quality of the light beams are fundamental requirements. The interchangeable optics are semidiffused and the direct glare is totally controlled thanks to the deep shielding with a cut-off of 36° that characterizes the front end.



Switch

Pan Digital

PRODUCTS CHARACTERISTICS

installation type

**Track / Ceiling
projectors**

material

Aluminum

Color

Black

Power

12 W

Lumen output - Full emission

1118 lm

Efficacy

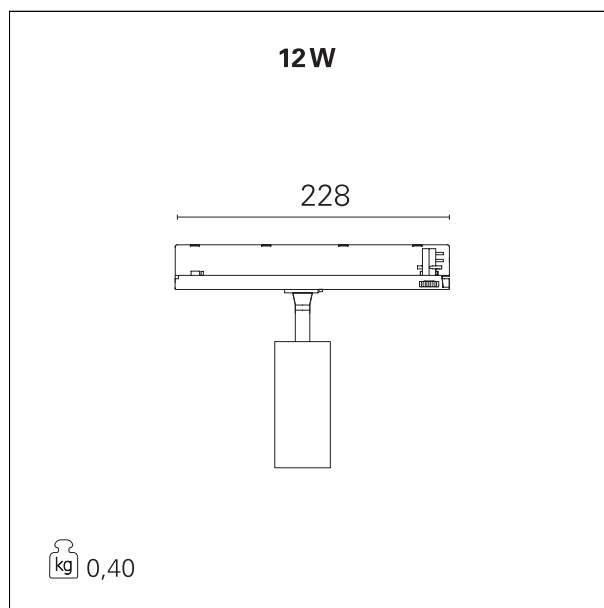
93 lm/W

Dimensions

52 x 214 mm.

net weight

0,35 kg.



ELECTRICAL CHARACTERISTICS

feeding

220÷240 V

driver

Pan Digital

Insulation class

Class I

MECHANICAL CHARACTERISTICS

product IP rate

IP20

IK

IK02

Slim

RTL43108PD - 12 W - 1100 lumen - 24° - Flood / 12 W / 4000 K / CRI > 90

LED SOURCE DETAILS

| | |
|----------------------|---|
| led source type | CoB Led |
| Photobiological risk | RG 2 Moderate risk (IEC 62471) |
| LED brand | Cree or equivalent |
| LED current | 300 mA |
| LED voltage | 37 V |
| Service lifetime | L80 / B20 - 50.000 h. |
| Light temperature | 4000 K |
| CRI | CRI > 90 |
| SDCM | < 3 |

DRIVER CHARACTERISTICS

| | |
|-----------------------|---------------------|
| driver | Pan Digital |
| Power factor | > 0,5 |
| Operating temperature | -20°C ÷ 45°C |

LIGHTING DETAILS

| | |
|---------------------|--------------|
| luminous effect | flood |
| Beam angle - direct | 24° |
| Cut Hood | 36° |

PHOTOMETRIC

