

### Accent Drop

**RTL19313** - Squared Adjustable - 10 W - 900 lumen / 2700 K / CRI >90

#### DESCRIPTION

Accent is the downlight equipped with the same LED modules of the Nemo series, it is ideal for all interior design projects where it is necessary to recreate well-defined light accents in the absence of glare. Accent has the LED source set back and completely hidden from view and with a 40 ° cut-off it offers maximum visual comfort by creating precise and well-defined uniform light accents. The Drop version is ideal for spot effects on the horizontal plane while the Side version allows you to tilt the optical module for lateral light emissions. All versions are installed in a Ø 65 mm recessed hole.



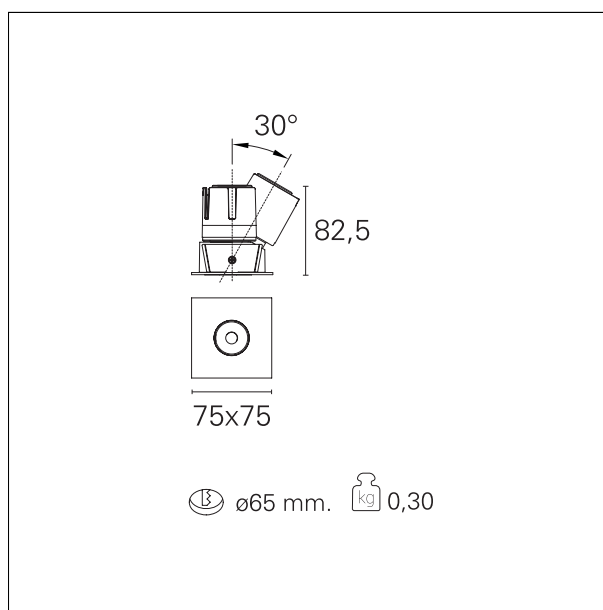
Switch

On:Off

#### PRODUCTS CHARACTERISTICS

installation type  
material  
Color  
Power  
Lumen output - Full emission  
Efficacy  
Dimensions

**trimmed recessed**  
**Aluminum**  
**White**  
**10 W**  
**894 lm**  
**89 lm/W**  
**75 x 75 mm.**



#### ELECTRICAL CHARACTERISTICS

feeding  
driver  
Insulation class

**220÷240 V**  
**On:Off**  
**Class II**

#### MECHANICAL CHARACTERISTICS

optical compartment IP rate  
recessed compartment IP rate

**IP40**  
**IP20**

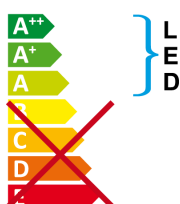
### Accent Drop

**RTL19313** - Squared Adjustable - 10 W - 900 lumen / 2700 K / CRI >90

#### HOLE RECESS DIMENSIONS

hole recess diameter **Ø 65 mm.**

#### ENERGY CLASSIFICATION



The lamps cannot be changed in the luminaire.

#### LED SOURCE DETAILS

led source type	<b>CoB Led</b>
LED brand	<b>Bridgelux</b>
LED current	<b>250 mA</b>
LED voltage	<b>36 V</b>
Service lifetime	<b>L80 / B20 - 50.000 h.</b>
Light temperature	<b>2700 K</b>
CRI	<b>CRI &gt;90</b>
SDCM	<b>&lt; 3</b>

#### DRIVER CHARACTERISTICS

driver	<b>On+Off</b>
Operating temperature	<b>-20°C ÷ 45°C</b>

#### LIGHTING DETAILS

emission	<b>rotationally symmetrical</b>
luminous effect	<b>flood</b>
optic	<b>24°</b>
Beam angle - direct	<b>24°</b>
UGR	<b>&lt; 16</b>
Cut Hood	<b>40°</b>

### Accent Drop

RTL19313 - Squared Adjustable - 10 W - 900 lumen / 2700 K / CRI >90

#### PHOTOMETRIC

