

### Accent Drop

RTL19311PD - Squared Adjustable - 10 W - 900 lumen / 3000 K / CRI >90

#### DESCRIPTION

Accent is the downlight equipped with the same LED modules of the Nemo series, it is ideal for all interior design projects where it is necessary to recreate well-defined light accents in the absence of glare. Accent has the LED source set back and completely hidden from view and with a 40 ° cut-off it offers maximum visual comfort by creating precise and well-defined uniform light accents. The Drop version is ideal for spot effects on the horizontal plane while the Side version allows you to tilt the optical module for lateral light emissions. All versions are installed in a Ø 65 mm recessed hole.



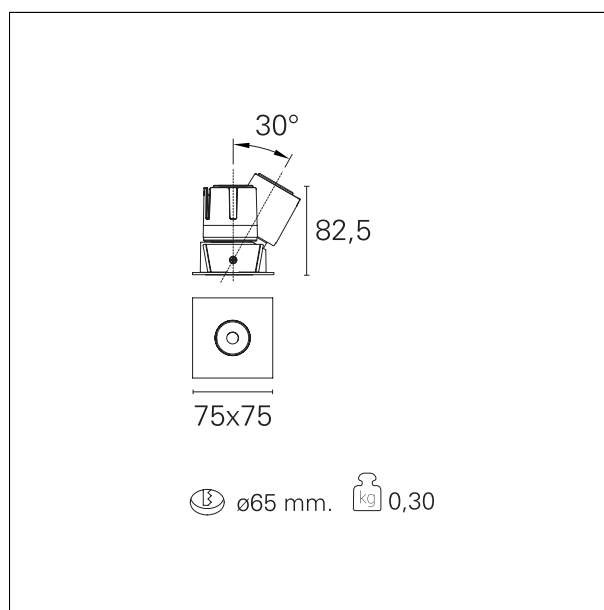
Switch

Pan Digital

#### PRODUCTS CHARACTERISTICS

installation type  
material  
Color  
Power  
Lumen output - Full emission  
Efficacy  
Dimensions

trimmed recessed  
Aluminum  
White  
10 W  
918 lm  
92 lm/W  
75 x 75 mm.



#### ELECTRICAL CHARACTERISTICS

feeding  
driver  
Insulation class

220÷240 V  
Pan Digital  
Class II

#### MECHANICAL CHARACTERISTICS

optical compartment IP rate  
recessed compartment IP rate

IP40  
IP20

### Accent Drop

RTL19311PD - Squared Adjustable - 10 W - 900 lumen / 3000 K / CRI >90

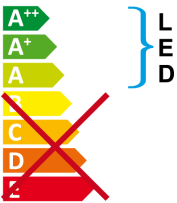
#### HOLE RECESS DIMENSIONS

hole recess diameter **Ø 65 mm.**

#### ENERGY CLASSIFICATION



This luminaire contains built-in LED lamps.



The lamps cannot be changed in the luminaire.

#### LED SOURCE DETAILS

led source type	<b>CoB Led</b>
LED brand	<b>Bridgelux</b>
LED current	<b>250 mA</b>
LED voltage	<b>36 V</b>
Service lifetime	<b>L80 / B20 - 50.000 h.</b>
Light temperature	<b>3000 K</b>
CRI	<b>CRI &gt;90</b>
SDCM	<b>&lt; 3</b>

#### DRIVER CHARACTERISTICS

driver	<b>Pan Digital</b>
Operating temperature	<b>-20°C ÷ 45°C</b>

#### LIGHTING DETAILS

emission	<b>rotationally symmetrical</b>
luminous effect	<b>spot</b>
optic	<b>15°</b>
Beam angle - direct	<b>15°</b>
UGR	<b>&lt; 16</b>
Cut Hood	<b>40°</b>

### Accent Drop

RTL19311PD - Squared Adjustable - 10 W - 900 lumen / 3000 K / CRI >90

#### PHOTOMETRIC

