

### Accent Side

**RTL19213PD** - Rounded Adjustable - 10 W - 900 lumen / 2700 K / CRI >90

#### DESCRIPTION

Accent is the downlight equipped with the same LED modules of the Nemo series, it is ideal for all interior design projects where it is necessary to recreate well-defined light accents in the absence of glare. Accent has the LED source set back and completely hidden from view and with a 40 ° cut-off it offers maximum visual comfort by creating precise and well-defined uniform light accents. The Drop version is ideal for spot effects on the horizontal plane while the Side version allows you to tilt the optical module for lateral light emissions. All versions are installed in a Ø 65 mm recessed hole.

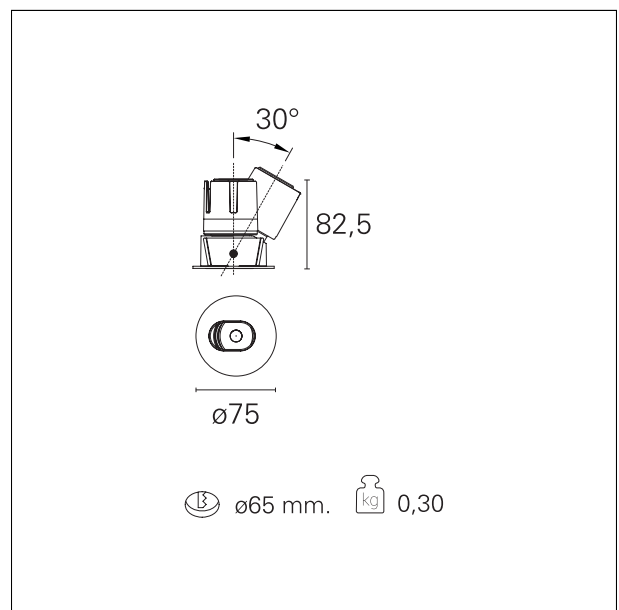


Switch

**Pan Digital**

#### PRODUCTS CHARACTERISTICS

|                              |                         |
|------------------------------|-------------------------|
| installation type            | <b>trimmed recessed</b> |
| material                     | <b>Aluminum</b>         |
| Color                        | <b>White</b>            |
| Power                        | <b>10 W</b>             |
| Lumen output - Full emission | <b>894 lm</b>           |
| Efficacy                     | <b>89 lm/W</b>          |
| Diameter                     | <b>Ø 75 mm.</b>         |
| Dimensions                   | <b>h 82,5 mm.</b>       |



#### ELECTRICAL CHARACTERISTICS

|                  |                    |
|------------------|--------------------|
| feeding          | <b>220÷240 V</b>   |
| driver           | <b>Pan Digital</b> |
| Insulation class | <b>Class II</b>    |

#### MECHANICAL CHARACTERISTICS

|                              |             |
|------------------------------|-------------|
| optical compartment IP rate  | <b>IP40</b> |
| recessed compartment IP rate | <b>IP20</b> |

### Accent Side

**RTL19213PD** - Rounded Adjustable - 10 W - 900 lumen / 2700 K / CRI >90

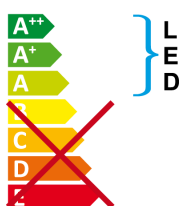
#### HOLE RECESS DIMENSIONS

hole recess diameter **Ø 65 mm.**

#### ENERGY CLASSIFICATION



This luminaire contains built-in LED lamps.



The lamps cannot be changed in the luminaire.

#### LED SOURCE DETAILS

|                   |                              |
|-------------------|------------------------------|
| led source type   | <b>CoB Led</b>               |
| LED brand         | <b>Bridgelux</b>             |
| LED current       | <b>250 mA</b>                |
| LED voltage       | <b>36 V</b>                  |
| Service lifetime  | <b>L80 / B20 - 50.000 h.</b> |
| Light temperature | <b>2700 K</b>                |
| CRI               | <b>CRI &gt;90</b>            |
| SDCM              | <b>&lt; 3</b>                |

#### DRIVER CHARACTERISTICS

|                       |                     |
|-----------------------|---------------------|
| driver                | <b>Pan Digital</b>  |
| Operating temperature | <b>-20°C ÷ 45°C</b> |

#### LIGHTING DETAILS

|                     |                                 |
|---------------------|---------------------------------|
| emission            | <b>rotationally symmetrical</b> |
| luminous effect     | <b>flood</b>                    |
| optic               | <b>24°</b>                      |
| Beam angle - direct | <b>24°</b>                      |
| UGR                 | <b>&lt; 16</b>                  |
| Cut Hood            | <b>40°</b>                      |

### Accent Side

RTL19213PD - Rounded Adjustable - 10 W - 900 lumen / 2700 K / CRI >90

### PHOTOMETRIC

