

### Bobby

RTL12422 - 22 W / 4000 K / CRI >90

#### DESCRIPTION

Bobby is the ideal downlight for the punctual illumination of all environments with a UGR value of <19. Made in one piece, the die-cast aluminum body with integrated heat sink ensures maximum heat dissipation. With a complete range from 6W to 22W, Bobby is able to produce a bright and long-lasting light thanks to the "first choice" CoB LEDs (CRI > 90 and MacAdam index <3). The included "flicker free" driver completes the appliance making installation extremely simple and fast.



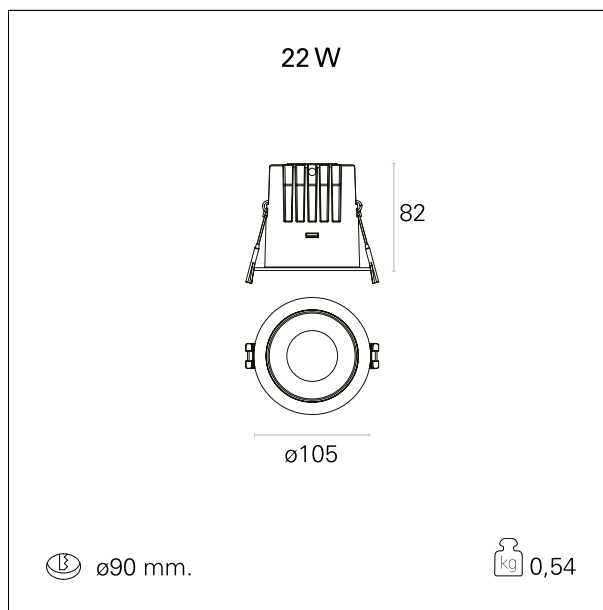
Switch

On+Off

#### PRODUCTS CHARACTERISTICS

installation type  
material  
Finish  
Color  
Power  
Lumen output - Full emission  
Efficacy

**Recessed Spotlights**  
**Aluminum**  
**Painted**  
**White**  
**22 W**  
**1900 lm**  
**86 lm/W**



#### ELECTRICAL CHARACTERISTICS

feeding  
driver  
Insulation class

**220÷240 V**  
**On+Off**  
**Class II**

#### MECHANICAL CHARACTERISTICS

optical compartment IP rate  
recessed compartment IP rate

**IP40**  
**IP20**

### Bobby

RTL12422 - 22 W / 4000 K / CRI >90

#### HOLE RECESS DIMENSIONS

hole recess diameter **ø 90 mm.**

#### LED SOURCE DETAILS

led source type	<b>CoB Led</b>
Photobiological risk	<b>RG 1 Low risk ( IEC 62471 )</b>
LED brand	<b>Bridgelux</b>
LED voltage	<b>36 V</b>
Service lifetime	<b>L80 / B20 - 50.000 h.</b>
Light temperature	<b>4000 K</b>
CRI	<b>CRI &gt;90</b>
SDCM	<b>&lt; 3</b>

#### DRIVER CHARACTERISTICS

driver	<b>On÷Off</b>
Operating temperature	<b>-20°C ÷ 45°C</b>

#### LIGHTING DETAILS

emission	<b>rotationally symmetrical</b>
luminous effect	<b>flood</b>
optic	<b>38°</b>
Beam angle - direct	<b>38°</b>
UGR	<b>&lt; 19</b>

#### PHOTOMETRIC

### Bobby

RTL12422 - 22 W / 4000 K / CRI >90

