

Bobby

RTL12422DM - 22 W / 4000 K / CRI >90

DESCRIPTION

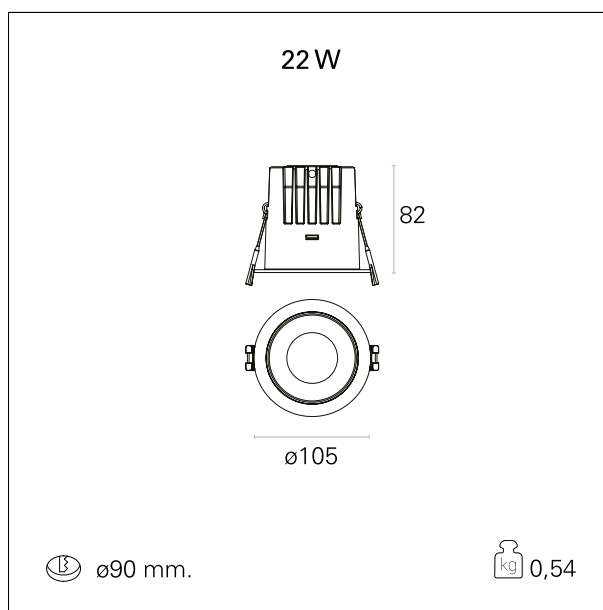
Bobby is the ideal downlight for the punctual illumination of all environments with a UGR value of <19. Made in one piece, the die-cast aluminum body with integrated heat sink ensures maximum heat dissipation. With a complete range from 6W to 22W, Bobby is able to produce a bright and long-lasting light thanks to the "first choice" CoB LEDs (CRI > 90 and MacAdam index <3). The included "flicker free" driver completes the appliance making installation extremely simple and fast.



Switch 1...10V / Push

PRODUCTS CHARACTERISTICS

| | |
|------------------------------|----------------------------|
| installation type | Recessed Spotlights |
| material | Aluminum |
| Finish | Painted |
| Color | White |
| Power | 22 W |
| Lumen output - Full emission | 1900 lm |
| Efficacy | 86 lm/W |



ELECTRICAL CHARACTERISTICS

| | |
|------------------|-----------------------|
| feeding | 220÷240 V |
| driver | 1...10V / Push |
| Insulation class | Class II |

MECHANICAL CHARACTERISTICS

| | |
|------------------------------|-------------|
| optical compartment IP rate | IP40 |
| recessed compartment IP rate | IP20 |

Bobby

RTL12422DM - 22 W / 4000 K / CRI >90

HOLE RECESS DIMENSIONS

hole recess diameter **ø 90 mm.**

LED SOURCE DETAILS

| | |
|----------------------|------------------------------------|
| led source type | CoB Led |
| Photobiological risk | RG 1 Low risk (IEC 62471) |
| LED brand | Bridgelux |
| LED voltage | 36 V |
| Service lifetime | L80 / B20 - 50.000 h. |
| Light temperature | 4000 K |
| CRI | CRI >90 |
| SDCM | < 3 |

DRIVER CHARACTERISTICS

| | |
|-----------------------|-----------------------|
| driver | 1...10V / Push |
| Operating temperature | -20°C ÷ 45°C |

LIGHTING DETAILS

| | |
|---------------------|---------------------------------|
| emission | rotationally symmetrical |
| luminous effect | flood |
| optic | 38° |
| Beam angle - direct | 38° |
| UGR | < 19 |

PHOTOMETRIC

Bobby

RTL12422DM - 22 W / 4000 K / CRI >90

