

Grace

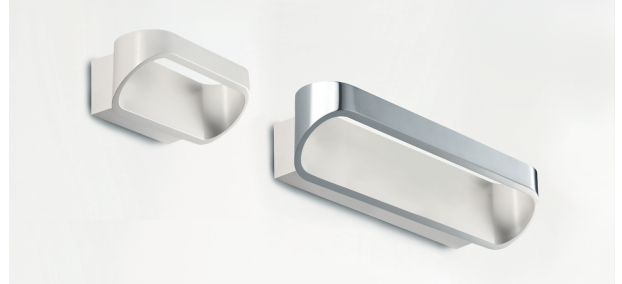
PAR268 - 2x 5 W / 3000 K / CRI > 80

DESCRIPTION

Grace, realized in aluminum, is particularly suitable for diffused lighting in indoor ambients. It is available in two versions of 18 cm and 30 cm. wide, equipped respectively with 5 W power LED for indirect emission and 2x 5W for double direct / indirect emission. Both versions are available in white or two-tone, white for the internal visible part and aluminum for the external part. It comes complete with integrated driver.

Switch

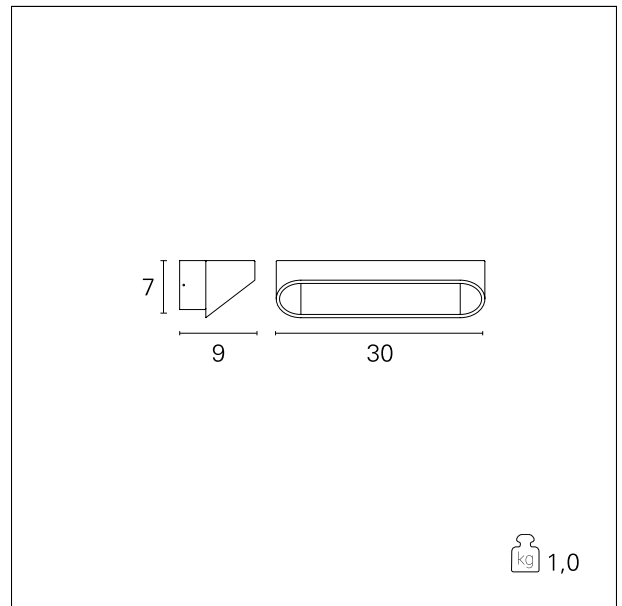
On+Off



PRODUCTS CHARACTERISTICS

installation type
material
Color
Power
Lumen output - Full emission
net weight

Wall Mounting
Aluminum
White
2x 5 W
630 lm
1 kg.



ELECTRICAL CHARACTERISTICS

feeding
driver
Insulation class

220÷240 V
On+Off
Class I

MECHANICAL CHARACTERISTICS

product IP rate

IP20

Grace

PAR268 - 2x 5 W / 3000 K / CRI > 80

LED SOURCE DETAILS

led source type	Power Led
Light temperature	3000 K
CRI	CRI > 80

DRIVER CHARACTERISTICS

driver	On+Off
--------	---------------

LIGHTING DETAILS

emission	Direct / Indirect
----------	--------------------------