

Grace

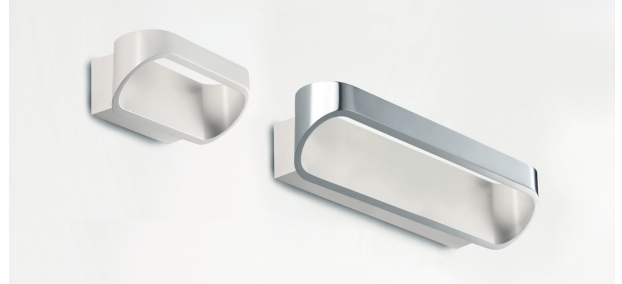
PAR267 - 2x 5 W / 3000 K / CRI > 80

DESCRIPTION

Grace, realized in aluminum, is particularly suitable for diffused lighting in indoor ambients. It is available in two versions of 18 cm and 30 cm. wide, equipped respectively with 5 W power LED for indirect emission and 2x 5W for double direct / indirect emission. Both versions are available in white or two-tone, white for the internal visible part and aluminum for the external part. It comes complete with integrated driver.

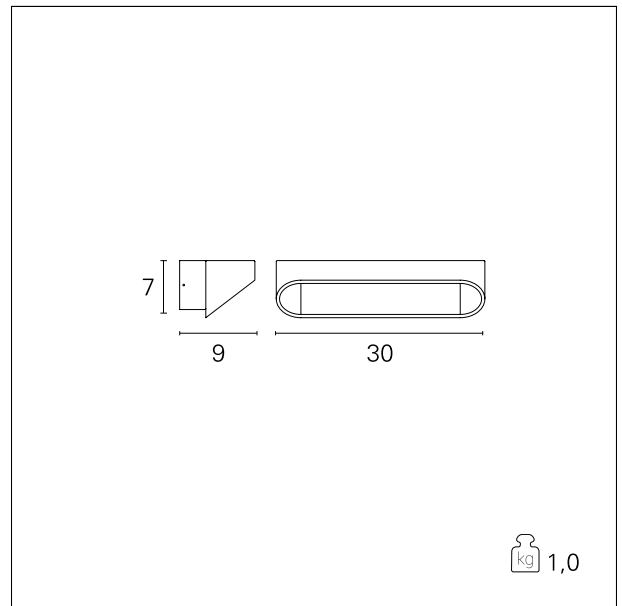
Switch

On+Off



PRODUCTS CHARACTERISTICS

installation type	Wall Mounting
material	Aluminum
Color	Aluminum / white
Power	2x 5 W
Lumen output - Full emission	630 lm
net weight	1 kg.



ELECTRICAL CHARACTERISTICS

feeding	220÷240 V
driver	On+Off
Insulation class	Class I

MECHANICAL CHARACTERISTICS

product IP rate	IP20
-----------------	-------------

Grace

PAR267 - 2x 5 W / 3000 K / CRI > 80

LED SOURCE DETAILS

led source type	Power Led
Light temperature	3000 K
CRI	CRI > 80

DRIVER CHARACTERISTICS

driver	On+Off
--------	---------------

LIGHTING DETAILS

emission	Direct / Indirect
----------	--------------------------