

### Pod

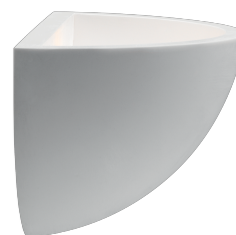
PAR10327 - 6,3 W / 3000 K / CRI > 80

#### DESCRIPTION

Pod is installed on the wall; it is made of smooth white plaster which makes the device paintable externally even after installation; equipped with integrated high efficiency LED source and driver, it is suitable for diffused lighting of the environment with indirect light.

Switch

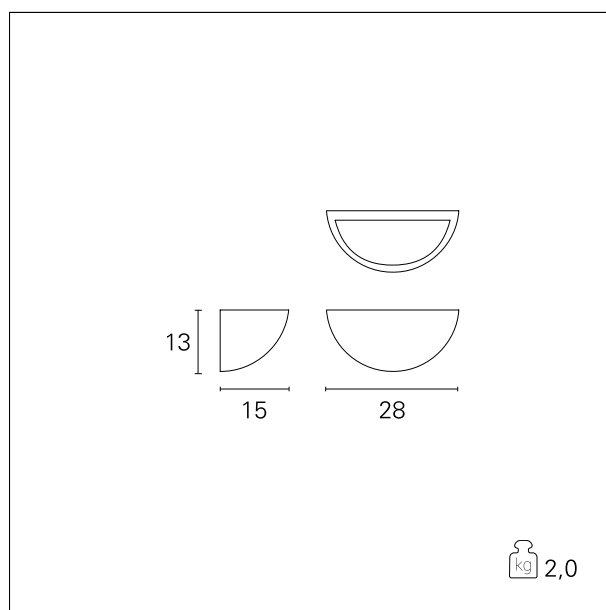
On÷Off



#### PRODUCTS CHARACTERISTICS

installation type  
material  
Color  
Power  
Lumen output - Full emission  
net weight

**Wall Mounting**  
**Aluminum**  
**White**  
**6,3 W**  
**520 lm**  
**2 kg.**



#### ELECTRICAL CHARACTERISTICS

feeding  
driver  
Insulation class

**220÷240 V**  
**On÷Off**  
**Class I**

#### MECHANICAL CHARACTERISTICS

product IP rate

**IP20**

### Pod

**PAR10327** - 6,3 W / 3000 K / CRI > 80

#### LED SOURCE DETAILS

led source type	<b>SMD Led</b>
Light source connection	<b>LED</b>
Light temperature	<b>3000 K</b>
CRI	<b>CRI &gt; 80</b>

#### DRIVER CHARACTERISTICS

driver	<b>On+Off</b>
--------	---------------

#### LIGHTING DETAILS

emission	<b>Indirect</b>
----------	-----------------