

### Eli

**PAR10325** - 5 W / 3000 K / CRI > 80

#### DESCRIPTION

**Wall luminaire. White polished plaster body. Front antiglare diffuser. Integrated high efficiency LED light source. Bidirectional emission for grazing light effects . Electronic driver integrated in the fixture. Paintable product.**

Switch

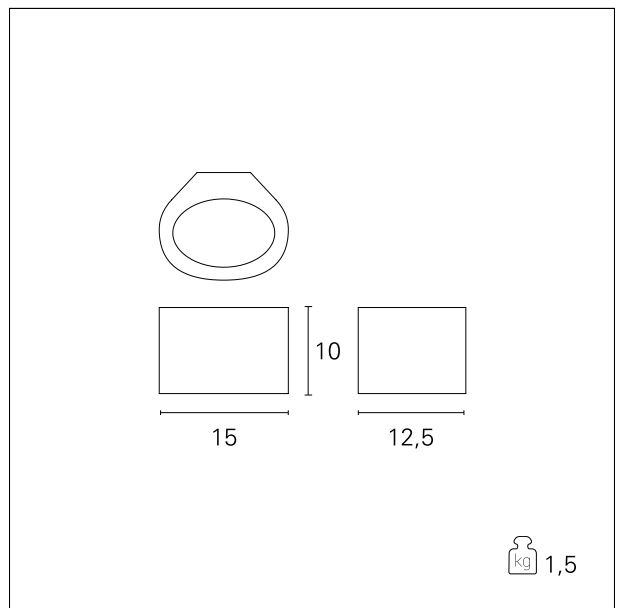
**On:Off**



#### PRODUCTS CHARACTERISTICS

installation type  
material  
Finish  
Color  
Power  
Lumen output - Full emission  
net weight

**Wall Mounting**  
**Chalk**  
**Smoothed**  
**White**  
**5 W**  
**220 lm**  
**1,5 kg.**



#### ELECTRICAL CHARACTERISTICS

feeding  
driver  
Insulation class

**220÷240 V**  
**On:Off**  
**Class I**

#### MECHANICAL CHARACTERISTICS

product IP rate

**IP20**

### Eli

**PAR10325** - 5 W / 3000 K / CRI > 80

#### LED SOURCE DETAILS

led source type	<b>CoB Led</b>
Light source connection	<b>LED</b>
Light temperature	<b>3000 K</b>
CRI	<b>CRI &gt; 80</b>

#### DRIVER CHARACTERISTICS

driver	<b>On+Off</b>
--------	---------------

#### LIGHTING DETAILS

emission	<b>Direct / Indirect</b>
----------	--------------------------