

### Cama

**PAR00037** - 2 W - rounded / 3000 K / CRI > 80

#### DESCRIPTION

**Wall reading lamp . Painted aluminium round or square body. Swivel head of about 45° on the horizontal axis. Integrated high efficiency LED light source. Direct lighting for bright accents. Electronic driver integrated in the fixture. Beam angle 65°.ON/OFF on the base.**

Switch

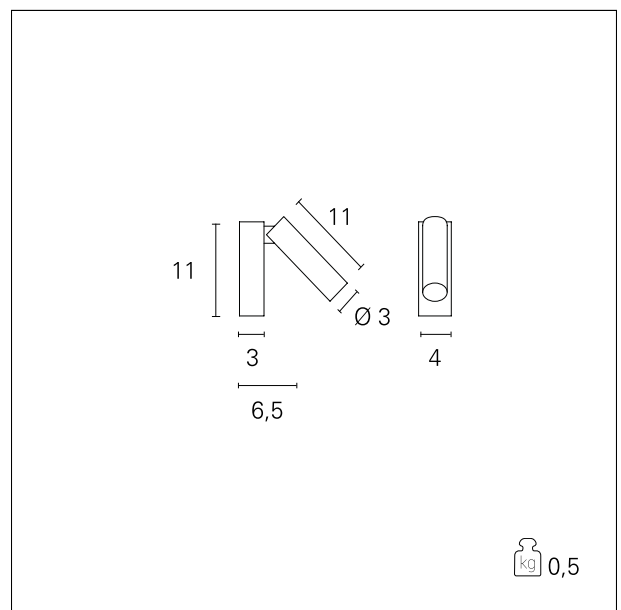
**On+Off**



#### PRODUCTS CHARACTERISTICS

installation type  
material  
Finish  
Color  
Power  
Lumen output - Full emission  
net weight

**Wall Mounting**  
**Aluminum**  
**Painted**  
**White**  
**2 W**  
**130 lm**  
**0,50 kg.**



#### ELECTRICAL CHARACTERISTICS

feeding  
driver  
Insulation class

**220÷240 V**  
**On+Off**  
**Class I**

#### MECHANICAL CHARACTERISTICS

product IP rate

**IP20**

### Cama

**PAR00037** - 2 W - rounded / 3000 K / CRI > 80

---

#### LED SOURCE DETAILS

---

led source type	<b>Power Led</b>
Light temperature	<b>3000 K</b>
CRI	<b>CRI &gt; 80</b>

#### DRIVER CHARACTERISTICS

---

driver	<b>On+Off</b>
--------	---------------