

Elle

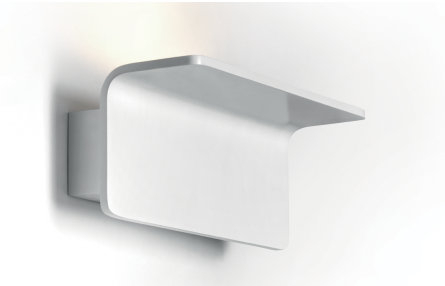
PAR00016 - 24 W / 3000 K / CRI > 80

DESCRIPTION

Elle is made of matt white painted aluminium and is equipped with a diffusing glass screen. It can be installed on the wall and is complete with high efficiency LED source and integrated driver. It is particularly suitable for diffused lighting of the environment thanks to its "uplight" emission.

Switch

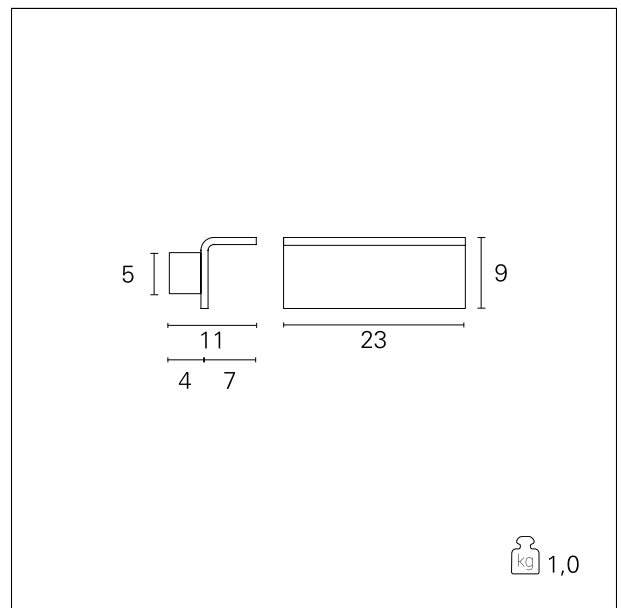
On+Off



PRODUCTS CHARACTERISTICS

installation type
material
Finish
Color
Power
Lumen output - Full emission
net weight

Wall Mounting
Aluminum
Matt painted
White
24 W
2230 lm
1 kg.



ELECTRICAL CHARACTERISTICS

feeding
driver
Insulation class

220÷240 V
On+Off
Class I

MECHANICAL CHARACTERISTICS

product IP rate

IP20

Elle

PAR00016 - 24 W / 3000 K / CRI > 80

LED SOURCE DETAILS

led source type	CoB Led
Light source connection	LED
Light temperature	3000 K
CRI	CRI > 80

DRIVER CHARACTERISTICS

driver	On+Off
--------	---------------

LIGHTING DETAILS

emission	Indirect
optic	100°

PHOTOMETRIC

