

### Onda

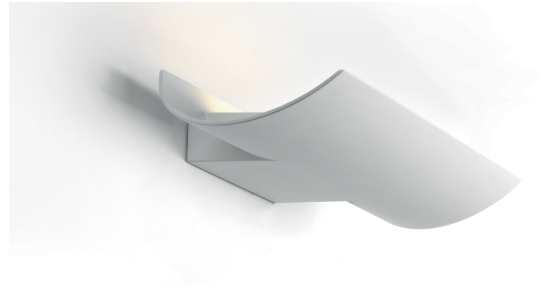
PAR00012 - 15 W / 3000 K / CRI > 80

#### DESCRIPTION

Onda is made of matt white painted aluminium. It has a diffusing glass screen and is equipped with a high efficiency SMD LED source and integrated driver. It is ideal for indirect light effects and is able to illuminate the surrounding area with diffused light. Thanks to the degree of protection IP54, it can be installed in indoor and outdoor.

Switch

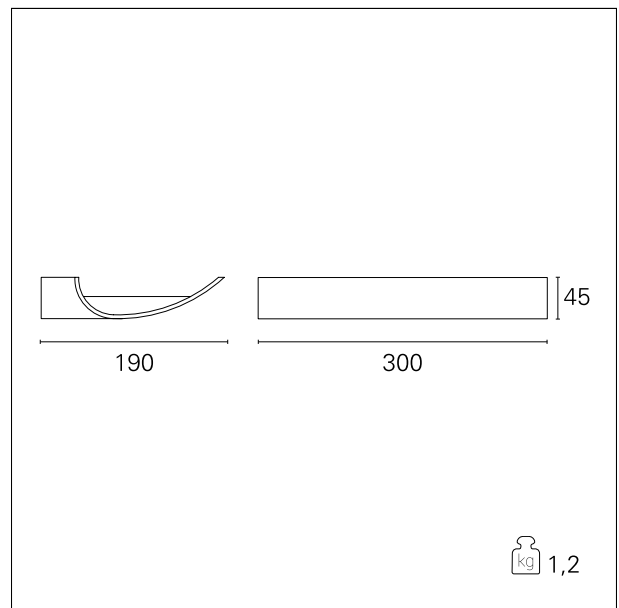
On+Off



#### PRODUCTS CHARACTERISTICS

installation type  
material  
Color  
Power  
Lumen output - Full emission  
net weight

**Wall Mounting**  
**Aluminum**  
**White**  
**15 W**  
**1270 lm**  
**1,2 kg.**



#### ELECTRICAL CHARACTERISTICS

feeding  
driver  
Insulation class

**220÷240 V**  
**On+Off**  
**Class I**

#### MECHANICAL CHARACTERISTICS

product IP rate

**IP54**

## Onda

PAR00012 - 15 W / 3000 K / CRI > 80

### LED SOURCE DETAILS

led source type	<b>SMD Led</b>
Light source connection	<b>LED</b>
Light temperature	<b>3000 K</b>
CRI	<b>CRI &gt; 80</b>

### DRIVER CHARACTERISTICS

driver	<b>On+Off</b>
--------	---------------

### LIGHTING DETAILS

emission	<b>Indirect</b>
optic	<b>100°</b>

### PHOTOMETRIC

