

### Lybra

**LNRO1021** - Pendant - uplight/downlight - diffuser - 24+16 W - 4000 K / 4000 K / CRI > 80

#### DESCRIPTION

Thin, minimal and performing; Lybra is a linear suspension with reduced dimensions designed for the lighting of offices and commercial environments. Available in two different colors matt white and matt black, Lybra can be equipped with a diffuser for diffused light effects or with UGR <19 specular optics for the lighting of workspaces. Thanks to its bi-emission balanced between diffused light upwards and directed light downwards, Lybra guarantees a soft and comfortable light effect throughout the area and lights correctly the visual task.

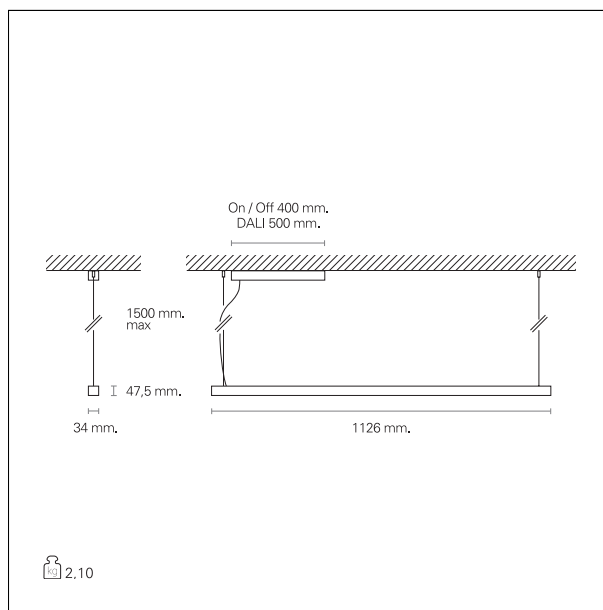


Switch

On:Off

#### PRODUCTS CHARACTERISTICS

installation type	<b>Linear light</b>
material	<b>Aluminum</b>
Finish	<b>Painted</b>
Color	<b>White</b>
Power	<b>24+16 W</b>
Lumen output - Direct emission	<b>2200 lm</b>
Lumen output - Indirect emission	<b>1950 lm</b>
Lumen output - Full emission	<b>4150 lm</b>
Efficacy	<b>104 lm/W</b>
Dimensions	<b>1126 mm</b>



#### ELECTRICAL CHARACTERISTICS

feeding	<b>220÷240 V</b>
driver	<b>On:Off</b>
Insulation class	<b>Class I</b>

#### MECHANICAL CHARACTERISTICS

product IP rate	<b>IP20</b>
-----------------	-------------

### Lybra

**LNR01021** - Pendant - uplight/downlight - diffuser - 24+16 W - 4000 K / 4000 K / CRI > 80

#### LED SOURCE DETAILS

led source type	<b>Mid Power Led</b>
Service lifetime	<b>L80 / B10 - 36.000 h.</b>
Light temperature	<b>4000 K</b>
CRI	<b>CRI &gt; 80</b>
SDCM	<b>&lt; 3</b>

#### DRIVER CHARACTERISTICS

driver	<b>On+Off</b>
Lifetime	<b>50.000 h</b>

#### LIGHTING DETAILS

emission	<b>uplight/downlight</b>
Beam angle - direct	<b>90°</b>
Beam angle - indirect	<b>80°</b>
UGR	<b>&lt; 19</b>

#### PHOTOMETRIC

