

### Beam

**IND06014** - 300 W - 39000 lm. / 6x 50 W / 5000 K / CRI >80

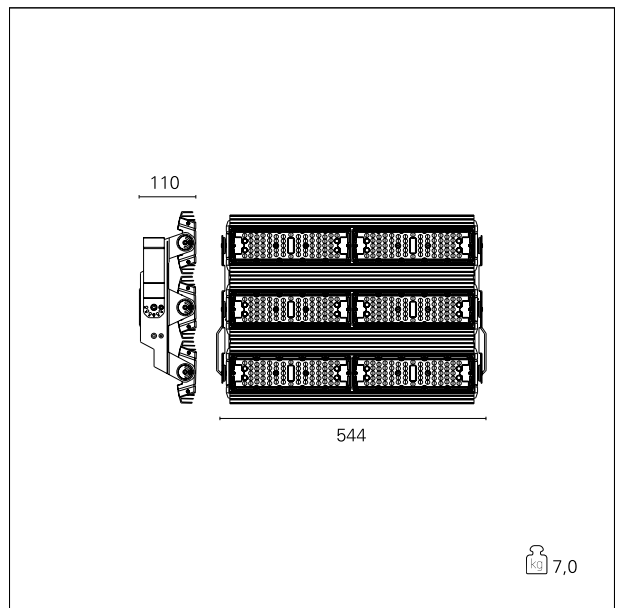
#### DESCRIPTION

Beam is a modular system designed for outdoor lighting of sports fields and large outdoor areas. The luminaires consist of independently adjustable optic modules assembled on a main body, which contains the driver and the plugs for the wiring. The individual optical modules are equipped with SMD LEDs and specific optical lenses, are made of extruded aluminum which optimizes heat dissipation and are aiming by +90° / -90° with respect to the main body, which can also be oriented with respect to the fixing point; The main body is made up of a 304 stainless steel bracket system treated against corrosion; it can be installed on a wall or ceiling or on a pole by combining it with a standard head / pole system (not included).



#### PRODUCTS CHARACTERISTICS

installation type	<b>Outdoor projectors</b>
material	<b>Extruded aluminum</b>
Finish	<b>Painted</b>
Color	<b>Black</b>
Power	<b>6x 50 W</b>
Lumen output - Full emission	<b>39000 lm</b>
Efficacy	<b>130 lm/W</b>
net weight	<b>7 kg</b>



#### ELECTRICAL CHARACTERISTICS

feeding	<b>220÷240 V</b>
driver	<b>On÷Off</b>
Insulation class	<b>Class I</b>

#### MECHANICAL CHARACTERISTICS

product IP rate	<b>IP66</b>
IK	<b>IK10</b>

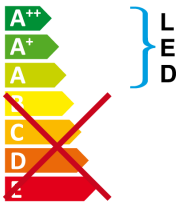
### Beam

**IND06014** - 300 W - 39000 lm. / 6x 50 W / 5000 K / CRI >80

#### ENERGY CLASSIFICATION



This luminaire contains built-in LED lamps.



The lamps cannot be changed in the luminaire.

#### LED SOURCE DETAILS

led source type	<b>SMD Led</b>
LED brand	<b>Philips</b>
Service lifetime	<b>L70 / B20 - 50.000 h.</b>
Light temperature	<b>5000 K</b>
CRI	<b>CRI &gt;80</b>

#### DRIVER CHARACTERISTICS

Power factor	<b>&gt; 0,95</b>
--------------	------------------

#### LIGHTING DETAILS

emission	<b>Direct</b>
optic	<b>90°</b>
UGR	<b>≤25</b>

### Beam

IND06014 - 300 W - 39000 lm. / 6x 50 W / 5000 K / CRI >80

### PHOTOMETRIC

