

Beam

IND06007 - 150 W - 19500 lm. / 3x 50 W / 5000 K / CRI >80

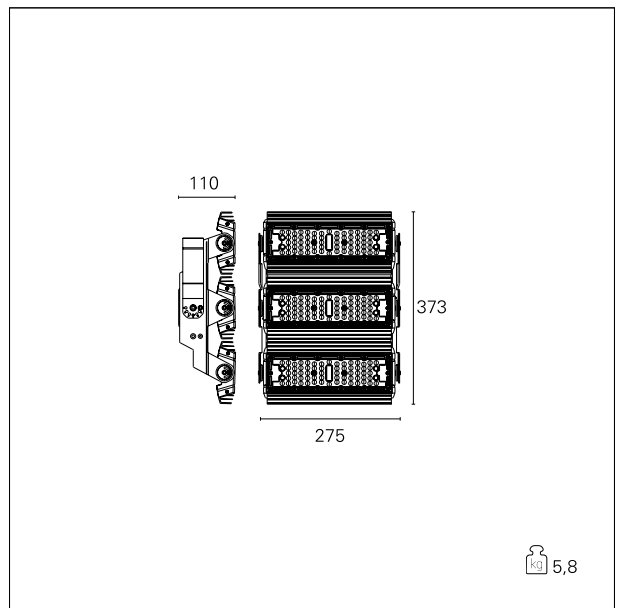
DESCRIPTION

Beam is a modular system designed for outdoor lighting of sports fields and large outdoor areas. The luminaires consist of independently adjustable optic modules assembled on a main body, which contains the driver and the plugs for the wiring. The individual optical modules are equipped with SMD LEDs and specific optical lenses, are made of extruded aluminum which optimizes heat dissipation and are aiming by $+90^\circ / -90^\circ$ with respect to the main body, which can also be oriented with respect to the fixing point; The main body is made up of a 304 stainless steel bracket system treated against corrosion; it can be installed on a wall or ceiling or on a pole by combining it with a standard head / pole system (not included).



PRODUCTS CHARACTERISTICS

installation type	Outdoor projectors
material	Extruded aluminum
Finish	Painted
Color	Black
Power	3x 50 W
Lumen output - Full emission	19500 lm
Efficacy	130 lm/W
net weight	5,8 kg



ELECTRICAL CHARACTERISTICS

feeding	220÷240 V
driver	On:Off
Insulation class	Class I

MECHANICAL CHARACTERISTICS

product IP rate	IP66
IK	IK10

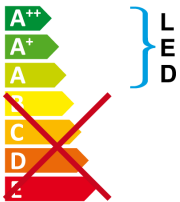
Beam

IND06007 - 150 W - 19500 lm. / 3x 50 W / 5000 K / CRI >80

ENERGY CLASSIFICATION



This luminaire contains built-in LED lamps.



The lamps cannot be changed in the luminaire.

LED SOURCE DETAILS

led source type	SMD Led
LED brand	Philips
Service lifetime	L70 / B20 - 50.000 h.
Light temperature	5000 K
CRI	CRI >80

DRIVER CHARACTERISTICS

Power factor	> 0,95
--------------	------------------

LIGHTING DETAILS

emission	Direct
optic	Elliptical
UGR	≤25

Beam

IND06007 - 150 W - 19500 lm. / 3x 50 W / 5000 K / CRI >80

PHOTOMETRIC

