

### Lane

**IND05005** - Linear Pendant - l. 750 mm. - 150 W - 5000 K / 150 W / 5000 K / CRI > 80

#### DESCRIPTION

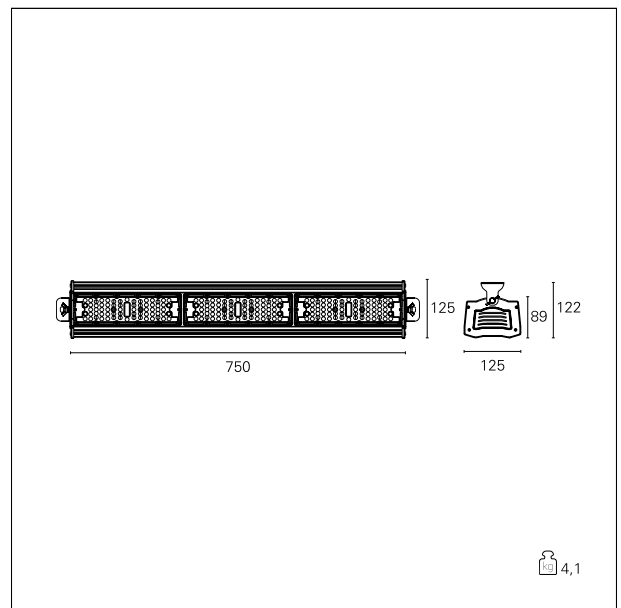
The Lane series is composed by "linear Hi Bays" luminaires, particularly suitable for the lighting of warehouse lanes and indoor production areas. All products are made in extruded aluminum to improve heat dissipation, keeping the operating temperature at optimum levels and ensuring the durability of the LEDs over time. Available in two different lengths, these products are equipped with special optical lenses used to obtain symmetrical, asymmetrical and elliptic light emissions. Drivers and LEDs are properly selected among "prime label" electronic components. Fixing adjustable brackets for ceiling, wall and suspension installation are available to complete this series. (suspension chains are not included).



Switch **On÷Off**

#### PRODUCTS CHARACTERISTICS

installation type	<b>High Bays</b>
material	<b>Extruded aluminum</b>
Finish	<b>Painted</b>
Color	<b>Black</b>
Power	<b>150 W</b>
Lumen output - Full emission	<b>21110 lm</b>
Efficacy	<b>141 lm/W</b>
net weight	<b>4,1 kg.</b>



#### ELECTRICAL CHARACTERISTICS

feeding	<b>220÷240 V</b>
driver	<b>On÷Off</b>
Insulation class	<b>Class I</b>

#### MECHANICAL CHARACTERISTICS

product IP rate	<b>IP66</b>
-----------------	-------------

## Lane

**IND05005** - Linear Pendant - l. 750 mm. - 150 W - 5000 K / 150 W / 5000 K / CRI > 80

IK

IK10

### LED SOURCE DETAILS

led source type	<b>SMD Led</b>
Photobiological risk	<b>RG 1 Low risk ( IEC 62471 )</b>
LED brand	<b>Philips or equivalent</b>
Service lifetime	<b>L70/B20 - 50.000 h.</b>
Light temperature	<b>5000 K</b>
CRI	<b>CRI &gt; 80</b>

### DRIVER CHARACTERISTICS

driver	<b>On÷Off</b>
Power factor	<b>&gt; 0,92</b>
Operating temperature	<b>-30°C ÷ 45°C</b>

### LIGHTING DETAILS

emission	<b>Downlight</b>
optic	<b>60°</b>
UGR	<b>≤ 22</b>

### PHOTOMETRIC

