

Lane

IND05001 - Linear Pendant - l. 500 mm. - 100 W - 5000 K / 100 W / 5000 K / CRI > 80

DESCRIPTION

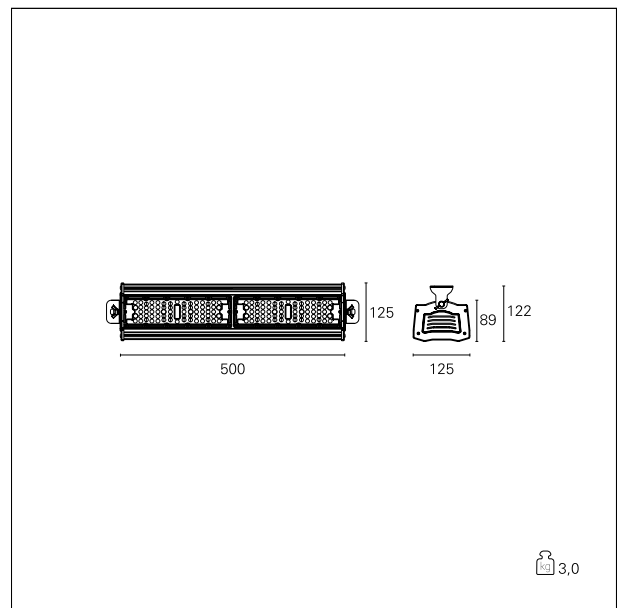
The Lane series is composed by "linear Hi Bays" luminaires, particularly suitable for the lighting of warehouse lanes and indoor production areas. All products are made in extruded aluminum to improve heat dissipation, keeping the operating temperature at optimum levels and ensuring the durability of the LEDs over time. Available in two different lengths, these products are equipped with special optical lenses used to obtain symmetrical, asymmetrical and elliptic light emissions. Drivers and LEDs are properly selected among "prime label" electronic components. Fixing adjustable brackets for ceiling, wall and suspension installation are available to complete this series. (suspension chains are not included).



Switch **On÷Off**

PRODUCTS CHARACTERISTICS

installation type	High Bays
material	Extruded aluminum
Finish	Painted
Color	Black
Power	100 W
Lumen output - Full emission	14120 lm
Efficacy	141 lm/W
net weight	3 kg.



ELECTRICAL CHARACTERISTICS

feeding	220÷240 V
driver	On÷Off
Insulation class	Class I

MECHANICAL CHARACTERISTICS

product IP rate	IP66
-----------------	-------------

Lane

IND05001 - Linear Pendant - l. 500 mm. - 100 W - 5000 K / 100 W / 5000 K / CRI > 80

IK

IK10

LED SOURCE DETAILS

led source type	SMD Led
Photobiological risk	RG 1 Low risk (IEC 62471)
LED brand	Philips or equivalent
Service lifetime	L70/B20 - 50.000 h.
Light temperature	5000 K
CRI	CRI > 80

DRIVER CHARACTERISTICS

driver	On÷Off
Power factor	> 0,92
Operating temperature	-30°C ÷ 45°C

LIGHTING DETAILS

emission	Downlight
optic	60°
UGR	≤ 22

PHOTOMETRIC

