

### Puck Plus

**IND02006** - Pendant High Bay - Ø 340 mm. - 200 W - 5000 K / 200 W / 5000 K / CRI > 80

#### DESCRIPTION

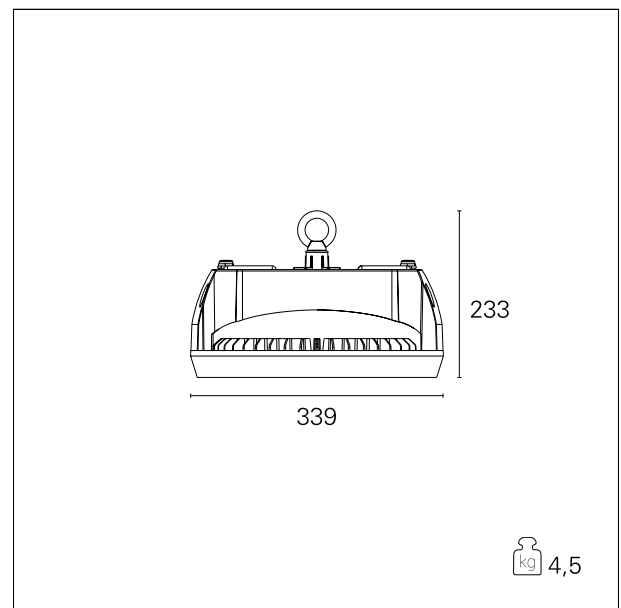
Suitable for lighting of indoor warehouses and production areas, Puck Plus is equipped with LEDs and DRIVER first label selection. Equipped with SMD LED and optical lenses. Versions available ON / OFF, dimmable 1 ... 10V, DALI. Die-cast aluminum body for optimization of heat dissipation. Suitable for ceiling or wall mounting using a brackets kit (to be ordered separately) or for suspension mounting using chains (not included). Rotosymmetric direct emission for controlled light. Optical shades as accessory. Microwave motion sensor for dimmable versions (accessory not included).



Switch **On:Off**

#### PRODUCTS CHARACTERISTICS

installation type	<b>High Bays</b>
material	<b>Aluminum die casting</b>
Finish	<b>Painted</b>
Color	<b>Black</b>
Power	<b>200 W</b>
Lumen output - Full emission	<b>26000 lm</b>
Efficacy	<b>130 lm/W</b>
net weight	<b>4,5 kg.</b>



#### ELECTRICAL CHARACTERISTICS

feeding	<b>220÷240 V</b>
driver	<b>On:Off</b>
Insulation class	<b>Class I</b>

#### MECHANICAL CHARACTERISTICS

product IP rate	<b>IP65</b>
IK	<b>IK10</b>

### Puck Plus

**IND02006** - Pendant High Bay - Ø 340 mm. - 200 W - 5000 K / 200 W / 5000 K / CRI > 80

#### LED SOURCE DETAILS

led source type	<b>SMD Led</b>
Photobiological risk	<b>RG 0 Exempt ( IEC 62471 )</b>
LED brand	<b>Philips or equivalent</b>
Service lifetime	<b>L70/B20 - 50.000 h.</b>
Light temperature	<b>5000 K</b>
CRI	<b>CRI &gt; 80</b>

#### DRIVER CHARACTERISTICS

driver	<b>On:Off</b>
Power factor	<b>&gt; 0,95</b>

#### LIGHTING DETAILS

emission	<b>Downlight</b>
optic	<b>90°</b>
UGR	<b>&lt; 25</b>

#### PHOTOMETRIC

