

### Puck Smart

**IND01010** - Pendant High Bay - Ø 300 mm. - 150 W - 4000 K / 150 W / 4000 K / CRI > 80

#### DESCRIPTION

Suitable for indoor lighting of warehouses and production areas, the Puck Smart series is equipped with SMD LED sources and optical lenses. Die-cast aluminum body for the optimization of heat dissipation. Can be installed in suspension with cable or chain (not included) or on the ceiling and wall using an accessory bracket (to be ordered separately). Direct rotationally symmetrical emission for controlled light. Optical screens in accessory.

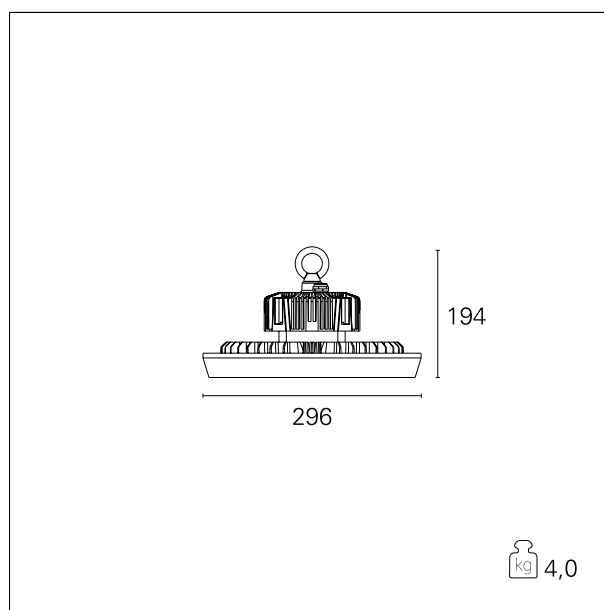
Switch

On+Off



#### PRODUCTS CHARACTERISTICS

installation type	<b>High Bays</b>
material	<b>Aluminum die casting</b>
Finish	<b>Painted</b>
Color	<b>Black</b>
Power	<b>150 W</b>
Lumen output - Full emission	<b>17160 lm</b>
Efficacy	<b>114 lm/W</b>
net weight	<b>4 kg.</b>



#### ELECTRICAL CHARACTERISTICS

feeding	<b>220÷240 V</b>
driver	<b>On+Off</b>
Insulation class	<b>Class I</b>

#### MECHANICAL CHARACTERISTICS

product IP rate	<b>IP65</b>
IK	<b>IK10</b>

### Puck Smart

**IND01010** - Pendant High Bay - Ø 300 mm. - 150 W - 4000 K / 150 W / 4000 K / CRI > 80

#### LED SOURCE DETAILS

led source type	<b>SMD Led</b>
Photobiological risk	<b>RG 0 Exempt ( IEC 62471 )</b>
Service lifetime	<b>L70/B20 - 50.000 h.</b>
Light temperature	<b>4000 K</b>
CRI	<b>CRI &gt; 80</b>

#### DRIVER CHARACTERISTICS

driver	<b>On÷Off</b>
Power factor	<b>&gt; 0,95</b>
Operating temperature	<b>-30°C ÷ 45°C</b>

#### LIGHTING DETAILS

emission	<b>Downlight</b>
optic	<b>90°</b>
UGR	<b>&lt; 25</b>

#### PHOTOMETRIC

