

Led Panel Tunable

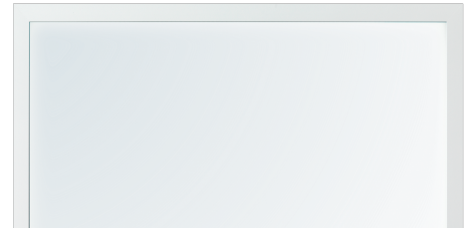
INC56542 - 60 x 60 cm. - 36 W - 2800÷6500 K / 2800 K ÷ 6500 K / CRI > 80

DESCRIPTION

Tunable technology is capable of recreating the cyclical nature of natural light and dynamically illuminates the surroundings so that the intensities and colour temperatures vary over time, to ensure maximum visual and physiological comfort for the inhabitants.

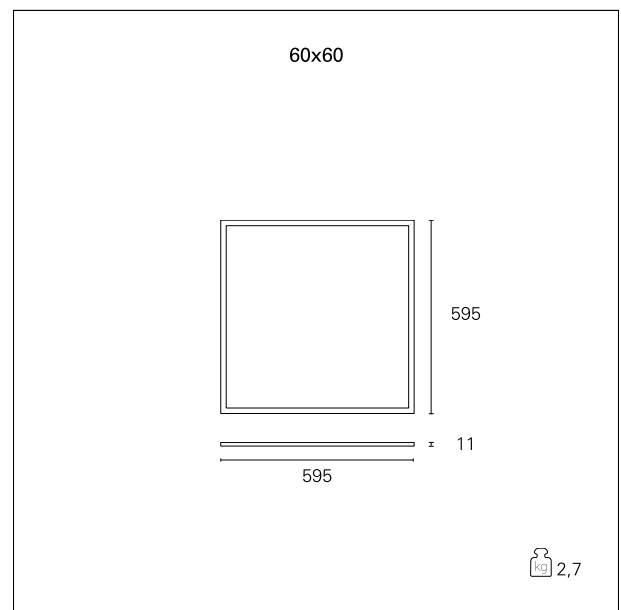
Switch

DALI



PRODUCTS CHARACTERISTICS

installation type	Light Panels
material	Extruded aluminum
Color	White
Power	36 W
Lumen output - Full emission	3300 ÷ 4000 lm
Dimensions	60 x 60 cm.
net weight	3 kg.



ELECTRICAL CHARACTERISTICS

feeding	220÷240 V
driver	DALI
Insulation class	Class II

MECHANICAL CHARACTERISTICS

product IP rate	IP65
IK	IK06

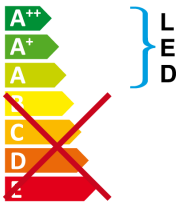
Led Panel Tunable

INC56542 - 60 x 60 cm. - 36 W - 2800÷6500 K / 2800 K ÷ 6500 K / CRI > 80

ENERGY CLASSIFICATION



This luminaire contains built-in LED lamps.



The lamps cannot be changed in the luminaire.

LED SOURCE DETAILS

led source type	SMD Led
Service lifetime	L80 / B20 - 50.000 h.
Light temperature	2800 K ÷ 6500 K
CRI	CRI > 80

DRIVER CHARACTERISTICS

driver	On÷Off
--------	---------------

LIGHTING DETAILS

Beam angle - direct	120°
UGR	≤ 19

PHOTOMETRIC

Led Panel Tunable

INC56542 - 60 x 60 cm. - 36 W - 2800÷6500 K / 2800 K ÷ 6500 K / CRI > 80

