

Led Panel High Protection

INC56441 - 60 x 60 cm. - 36 W - 4000 K / 4000 K / CRI > 80

DESCRIPTION

Led Panel High Protection completes the Smart line with version IP65, which is suitable for both the lower and upper parts of the unit, making it suitable for all indoor installations where a high degree of waterproofing and clearness of lights is required.

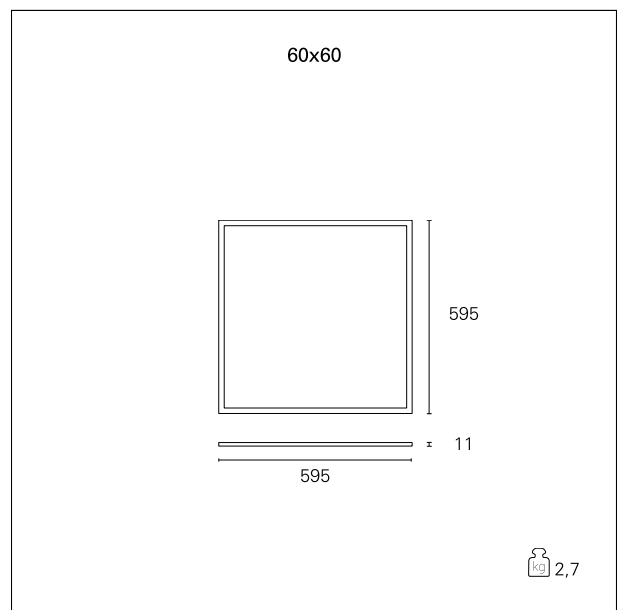
Switch

On÷Off



PRODUCTS CHARACTERISTICS

installation type	Light Panels
material	Extruded aluminum
Color	White
Power	36 W
Lumen output - Full emission	3850 lm
Efficacy	107 lm/W
Dimensions	60 x 60 cm.
net weight	3,5 kg.



ELECTRICAL CHARACTERISTICS

feeding	220÷240 V
driver	On÷Off
Insulation class	Class II

MECHANICAL CHARACTERISTICS

product IP rate	IP65
IK	IK06

Led Panel High Protection

INC56441 - 60 x 60 cm. - 36 W - 4000 K / 4000 K / CRI > 80

LED SOURCE DETAILS

led source type	SMD Led
Service lifetime	L80 / B20 - 50.000 h.
Light temperature	4000 K
CRI	CRI > 80

DRIVER CHARACTERISTICS

driver	On+Off
--------	---------------

LIGHTING DETAILS

Beam angle - direct	120°
UGR	≤ 19

PHOTOMETRIC

