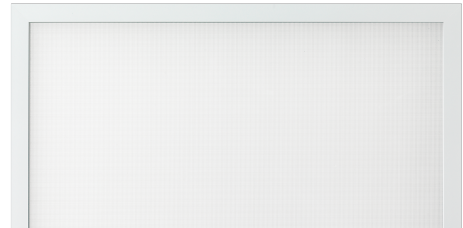


Led Panel Microprismatic

INC56256 - 62 x 62 cm. - 36 W - 3000 K / 3000 K / CRI > 80

DESCRIPTION

Micro prismatic Led Panel is fitted with the latest "Glareless" panel, which consists of a special prismatic 3 layer screens that harvests 20% more of the flux emitted and reduces glare, ensuring that a UGR value < 17. Optimal visual comfort and no flickering make Panel Led devices suitable for the lighting of environments dedicated to working activities where monitors and laptops are used.

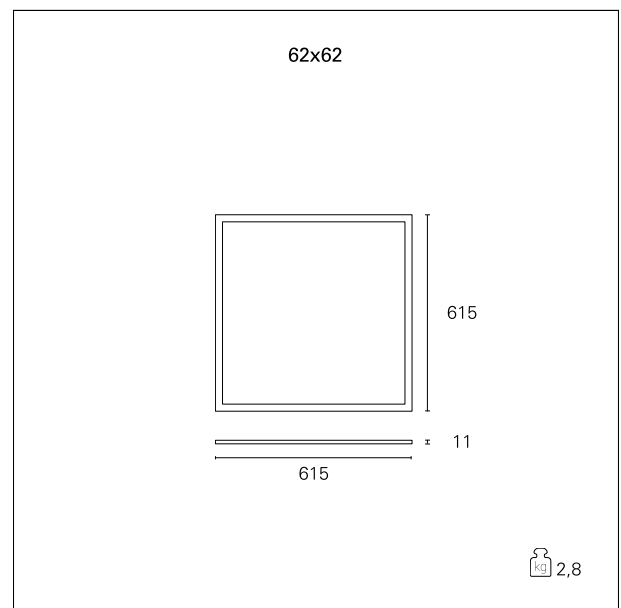


Switch

On+Off

PRODUCTS CHARACTERISTICS

installation type	Light Panels
material	Extruded aluminum
Color	White
Power	36 W
Lumen output - Full emission	3500 lm
Efficacy	97 lm/W
Dimensions	62 x 62 cm.
net weight	2,8 kg.



ELECTRICAL CHARACTERISTICS

feeding	220÷240 V
driver	On+Off
Insulation class	Class II

MECHANICAL CHARACTERISTICS

product IP rate	IP40
IK	IK03

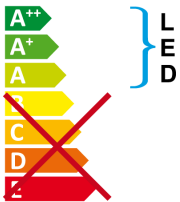
Led Panel Microprismatic

INC56256 - 62 x 62 cm. - 36 W - 3000 K / 3000 K / CRI > 80

ENERGY CLASSIFICATION



This luminaire contains built-in LED lamps.



The lamps cannot be changed in the luminaire.

LED SOURCE DETAILS

led source type	SMD Led
Service lifetime	L80 / B20 - 50.000 h.
Light temperature	3000 K
CRI	CRI > 80

DRIVER CHARACTERISTICS

driver	On+Off
--------	---------------

LIGHTING DETAILS

Beam angle - direct	75°
UGR	≤ 17

PHOTOMETRIC

Led Panel Microprismatic

INC56256 - 62 x 62 cm. - 36 W - 3000 K / 3000 K / CRI > 80

