

Led Panel Microprismatic

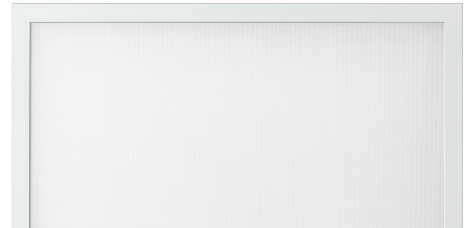
INC56256CA - 62 x 62 cm. - 36 W - 3000 K / 3000 K / CRI > 80

DESCRIPTION

Micro prismatic Led Panel is fitted with the latest "Glareless" panel, which consists of a special prismatic 3 layer screens that harvests 20% more of the flux emitted and reduces glare, ensuring that a UGR value < 17. Optimal visual comfort and no flickering make Panel Led devices suitable for the lighting of environments dedicated to working activities where monitors and laptops are used.

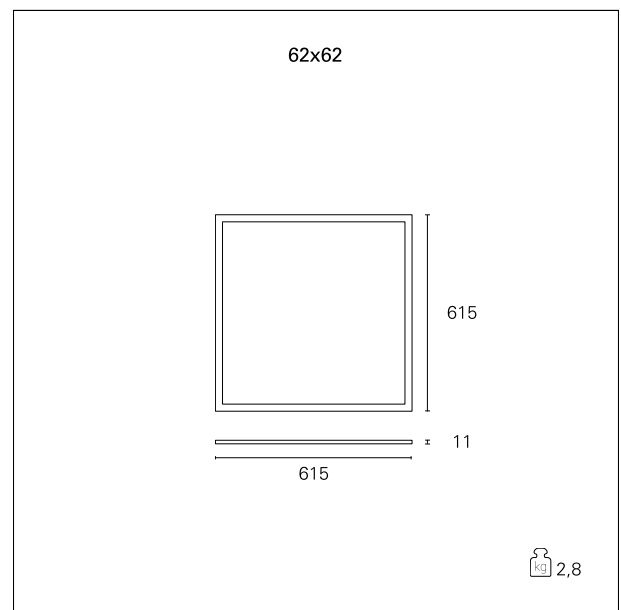
Switch

Casambi



PRODUCTS CHARACTERISTICS

installation type	Light Panels
material	Extruded aluminum
Color	White
Power	36 W
Lumen output - Full emission	3500 lm
Efficacy	97 lm/W
Dimensions	62 x 62 cm.
net weight	2,8 kg.



ELECTRICAL CHARACTERISTICS

feeding	220÷240 V
driver	Casambi
Insulation class	Class II

MECHANICAL CHARACTERISTICS

product IP rate	IP40
IK	IK03

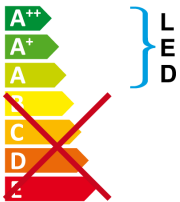
Led Panel Microprismatic

INC56256CA - 62 x 62 cm. - 36 W - 3000 K / 3000 K / CRI > 80

ENERGY CLASSIFICATION



This luminaire contains built-in LED lamps.



The lamps cannot be changed in the luminaire.

LED SOURCE DETAILS

led source type	SMD Led
Service lifetime	L80 / B20 - 50.000 h.
Light temperature	3000 K
CRI	CRI > 80

DRIVER CHARACTERISTICS

driver	Casambi
--------	----------------

LIGHTING DETAILS

Beam angle - direct	75°
UGR	≤ 17

PHOTOMETRIC

Led Panel Microprismatic

INC56256CA - 62 x 62 cm. - 36 W - 3000 K / 3000 K / CRI > 80

