

Led Panel Microprismatic

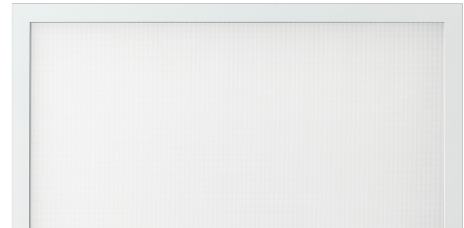
INC56244PD - 60 x 60 cm. - 36 W - 3000 K / 3000 K / CRI > 80

DESCRIPTION

Micro prismatic Led Panel is fitted with the latest "Glareless" panel, which consists of a special prismatic 3 layer screens that harvests 20% more of the flux emitted and reduces glare, ensuring that a UGR value < 17. Optimal visual comfort and no flickering make Panel Led devices suitable for the lighting of environments dedicated to working activities where monitors and laptops are used.

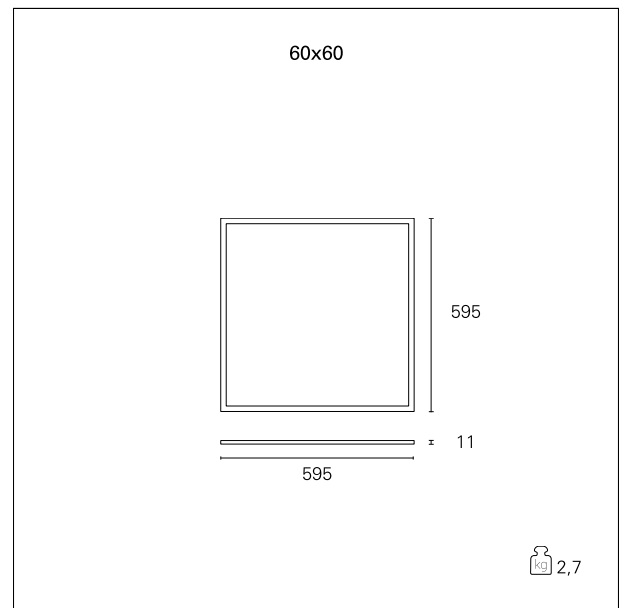
Switch

Pan Digital



PRODUCTS CHARACTERISTICS

| | |
|------------------------------|--------------------------|
| installation type | Light Panels |
| material | Extruded aluminum |
| Color | White |
| Power | 36 W |
| Lumen output - Full emission | 3500 lm |
| Efficacy | 97 lm/W |
| Dimensions | 60 x 60 cm. |
| net weight | 2,8 kg. |



ELECTRICAL CHARACTERISTICS

| | |
|------------------|--------------------|
| feeding | 220÷240 V |
| driver | Pan Digital |
| Insulation class | Class II |

MECHANICAL CHARACTERISTICS

| | |
|-----------------|-------------|
| product IP rate | IP40 |
| IK | IK03 |

Led Panel Microprismatic

INC56244PD - 60 x 60 cm. - 36 W - 3000 K / 3000 K / CRI > 80

LED SOURCE DETAILS

| | |
|----------------------|----------------------------------|
| led source type | SMD Led |
| Photobiological risk | RG 0 Exempt (IEC 62471) |
| Service lifetime | L80 / B20 - 50.000 h. |
| Light temperature | 3000 K |
| CRI | CRI > 80 |

DRIVER CHARACTERISTICS

| | |
|--------|--------------------|
| driver | Pan Digital |
|--------|--------------------|

LIGHTING DETAILS

| | |
|---------------------|-------------|
| Beam angle - direct | 75° |
| UGR | ≤ 17 |

PHOTOMETRIC

