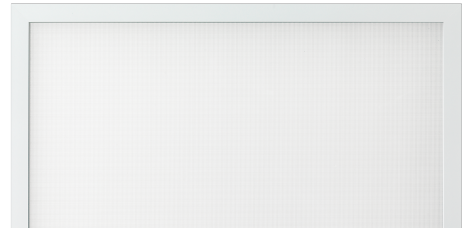


### Led Panel Microprismatic

**INC56244CA** - 60 x 60 cm. - 36 W - 3000 K / 3000 K / CRI > 80

#### DESCRIPTION

Micro prismatic Led Panel is fitted with the latest "Glareless" panel, which consists of a special prismatic 3 layer screens that harvests 20% more of the flux emitted and reduces glare, ensuring that a UGR value < 17. Optimal visual comfort and no flickering make Panel Led devices suitable for the lighting of environments dedicated to working activities where monitors and laptops are used.

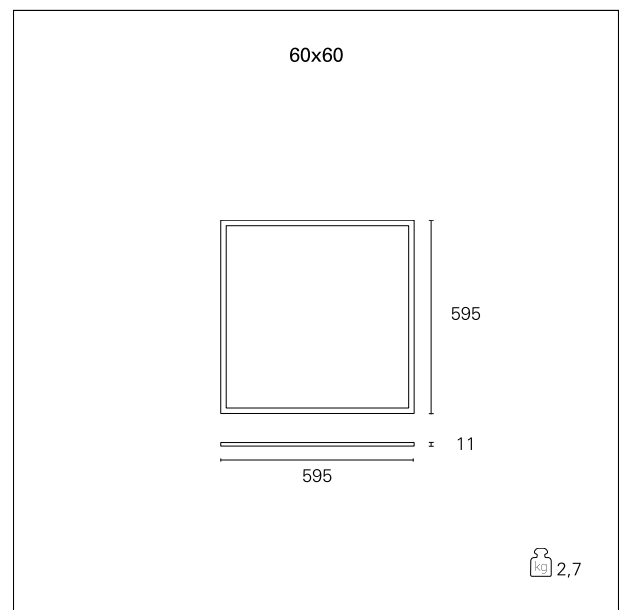


Switch

**Casambi**

#### PRODUCTS CHARACTERISTICS

installation type	<b>Light Panels</b>
material	<b>Extruded aluminum</b>
Color	<b>White</b>
Power	<b>36 W</b>
Lumen output - Full emission	<b>3500 lm</b>
Efficacy	<b>97 lm/W</b>
Dimensions	<b>60 x 60 cm.</b>
net weight	<b>2,8 kg.</b>



#### ELECTRICAL CHARACTERISTICS

feeding	<b>220÷240 V</b>
driver	<b>Casambi</b>
Insulation class	<b>Class II</b>

#### MECHANICAL CHARACTERISTICS

product IP rate	<b>IP40</b>
IK	<b>IK03</b>

### Led Panel Microprismatic

**INC56244CA** - 60 x 60 cm. - 36 W - 3000 K / 3000 K / CRI > 80

#### LED SOURCE DETAILS

led source type	<b>SMD Led</b>
Photobiological risk	<b>RG 0 Exempt ( IEC 62471 )</b>
Service lifetime	<b>L80 / B20 - 50.000 h.</b>
Light temperature	<b>3000 K</b>
CRI	<b>CRI &gt; 80</b>

#### DRIVER CHARACTERISTICS

driver	<b>Casambi</b>
--------	----------------

#### LIGHTING DETAILS

Beam angle - direct	<b>75°</b>
UGR	<b>≤ 17</b>

#### PHOTOMETRIC

