

Plaster 13

INC1515 - max. 35 W

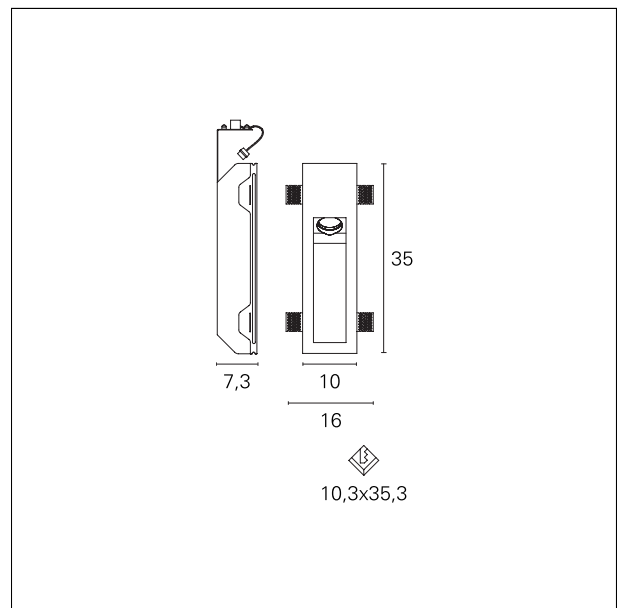
DESCRIPTION

Recessed wall product with asymmetric emission for grazing floor lighting. Plaster body with back-set lampholder. The products is complete with GU10 lamp holder. Bulb is not included.



PRODUCTS CHARACTERISTICS

installation type	trimless recessed
material	Chalk
Finish	Smoothed
Color	White
Power	max. 35 W
net weight	1,9 kg.



ELECTRICAL CHARACTERISTICS

feeding	220÷240 V
driver	On:Off
Insulation class	Class II

MECHANICAL CHARACTERISTICS

product IP rate	IP20
-----------------	-------------

Plaster 13

INC1515 - max. 35 W

HOLE RECESS DIMENSIONS

a x b hole recess **103 x 353 mm.**

LED SOURCE DETAILS

led source type **LED / HAGS**
Light source connection **GU10**

LIGHTING DETAILS

emission **rotationally symmetrical**