

### Led Panel Smart

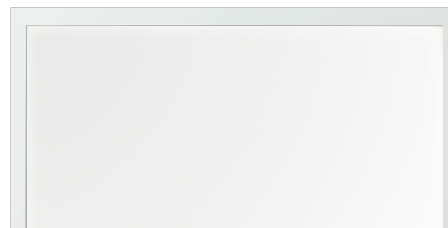
**INC1225** - 60 x 60 cm. - 50 W - 4000 K / 4000 K / CRI > 80

#### DESCRIPTION

The Led Panel Smart line is offered in a wide range of versions, in terms of output, colour temperatures and power supplies. All versions are characterized by enhanced luminous emission control to ensure maximum visual comfort, with a UGR value < 19 and the complete absence of flicker.

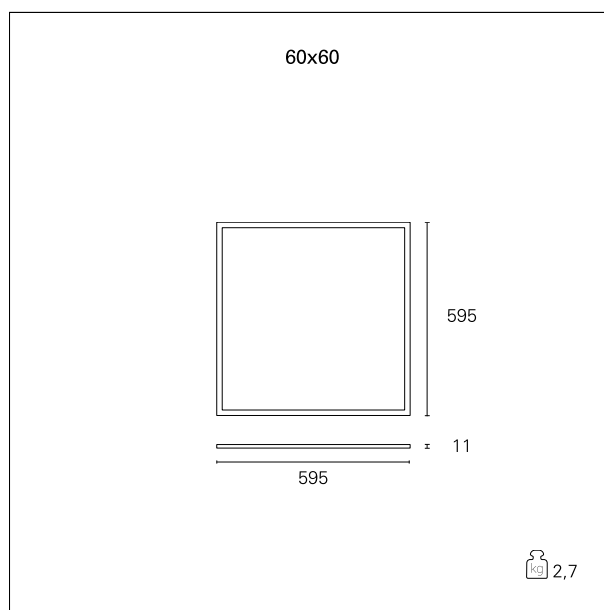
Switch

On÷Off



#### PRODUCTS CHARACTERISTICS

installation type	<b>Light Panels</b>
material	<b>Extruded aluminum</b>
Color	<b>White</b>
Power	<b>50 W</b>
Lumen output - Full emission	<b>5100 lm</b>
Efficacy	<b>102 lm/W</b>
Dimensions	<b>60 x 60 cm.</b>
net weight	<b>2,7 kg.</b>



#### ELECTRICAL CHARACTERISTICS

feeding	<b>220÷240 V</b>
driver	<b>On÷Off</b>
Insulation class	<b>Class II</b>

#### MECHANICAL CHARACTERISTICS

product IP rate	<b>IP40</b>
IK	<b>IK03</b>

## Led Panel Smart

**INC1225** - 60 x 60 cm. - 50 W - 4000 K / 4000 K / CRI > 80

### LED SOURCE DETAILS

led source type	<b>SMD Led</b>
Photobiological risk	<b>RG 0 Exempt ( IEC 62471 )</b>
Service lifetime	<b>L80 / B20 - 50.000 h.</b>
Light temperature	<b>4000 K</b>
CRI	<b>CRI &gt; 80</b>

### DRIVER CHARACTERISTICS

driver	<b>On+Off</b>
--------	---------------

### LIGHTING DETAILS

Beam angle - direct	<b>120°</b>
UGR	<b>≤ 19</b>

### PHOTOMETRIC

