

Jango Quadrato

INC1190 - Fixed - 9 W / 3000 K / CRI >90

DESCRIPTION

The Jango series is composed by small fixed and adjustable projectors, of round or square shape, with different recess depths and equipped with both on / off and phase cut dimmable driver. A complete range for the realization of lighting accents with a quality light: the high color rendering CoB LEDs CR I > 90 and SDCM < 3 enhance colors of the illuminated objects with an intense and bright light; reflectors are specular with progressive curved faces for a better diffusion of light within the emission beam angle.

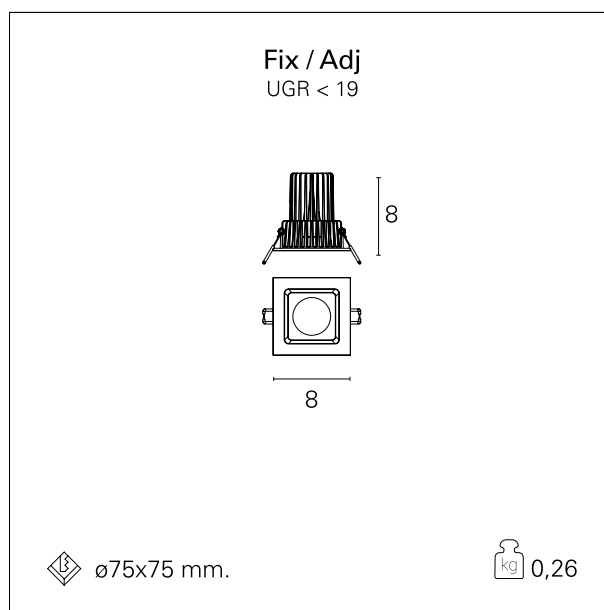
Switch

On+Off



PRODUCTS CHARACTERISTICS

installation type	Recessed Spotlights
material	Aluminum
Color	White
Power	9 W
Lumen output - Full emission	815 lm
Efficacy	91 lm/W
Dimensions	80 x 80 mm.
net weight	0,26 kg.



ELECTRICAL CHARACTERISTICS

feeding	220÷240 V
driver	On+Off
Insulation class	Class I

MECHANICAL CHARACTERISTICS

product IP rate	IP20
-----------------	-------------

Jango Quadrato

INC1190 - Fixed - 9 W / 3000 K / CRI >90

HOLE RECESS DIMENSIONS

a x b hole recess **75 x 75 mm.**

LED SOURCE DETAILS

led source type	CoB Led
Photobiological risk	RG 1 Low risk (IEC 62471)
LED brand	Cree CXA*
Service lifetime	L80 / B20 - 50.000 h.
Light temperature	3000 K
CRI	CRI >90
SDCM	< 3

DRIVER CHARACTERISTICS

driver	On÷Off
Operating temperature	-20°C ÷ 45°C

LIGHTING DETAILS

emission	rotationally symmetrical
luminous effect	flood
optic	40°
Beam angle - direct	40°
UGR	< 19

PHOTOMETRIC

Jango Quadrato

INC1190 - Fixed - 9 W / 3000 K / CRI >90

