

Jango Tondo

INC1184 - Fixed - 9 W / 3000 K / CRI >90

DESCRIPTION

The Jango series is composed by small fixed and adjustable projectors, of round or square shape, with different recess depths and equipped with both on / off and phase cut dimmable driver. A complete range for the realization of lighting accents with a quality light: the high color rendering CoB LEDs CR I > 90 and SDCM < 3 enhance colors of the illuminated objects with an intense and bright light; reflectors are specular with progressive curved faces for a better diffusion of light within the emission beam angle.



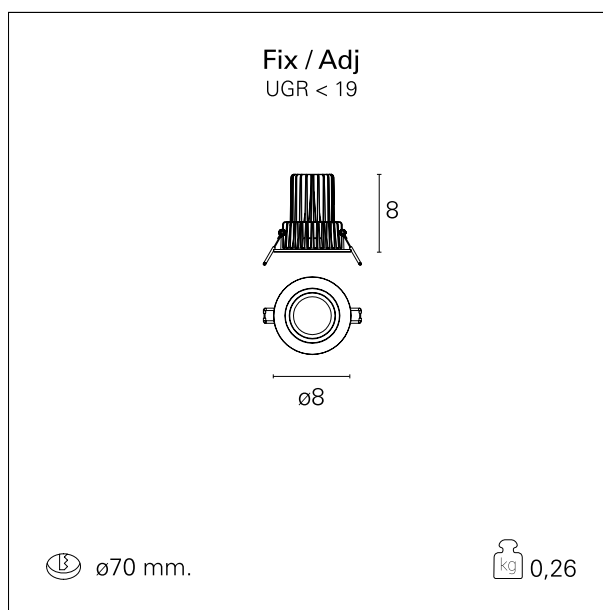
Switch

On+Off

PRODUCTS CHARACTERISTICS

installation type
material
Color
Power
Lumen output - Full emission
Efficacy
Diameter
net weight

Recessed Spotlights
Aluminum
White
9 W
815 lm
91 lm/W
ø 80 mm.
0,26 kg.



ELECTRICAL CHARACTERISTICS

feeding
driver
Insulation class

220÷240 V
On+Off
Class I

MECHANICAL CHARACTERISTICS

product IP rate

IP20

Jango Tondo

INC1184 - Fixed - 9 W / 3000 K / CRI >90

HOLE RECESS DIMENSIONS

hole recess diameter **ø 70 mm.**

LED SOURCE DETAILS

led source type	CoB Led
Photobiological risk	RG 1 Low risk (IEC 62471)
LED brand	Cree CXA*
Service lifetime	L80 / B20 - 50.000 h.
Light temperature	3000 K
CRI	CRI >90
SDCM	< 3

DRIVER CHARACTERISTICS

driver	On÷Off
Operating temperature	-20°C ÷ 45°C

LIGHTING DETAILS

emission	rotationally symmetrical
luminous effect	flood
optic	40°
Beam angle - direct	40°
UGR	< 19

PHOTOMETRIC

Jango Tondo

INC1184 - Fixed - 9 W / 3000 K / CRI >90

