

### Jango Tondo

INC1180 - Fixed - 9 W / 3000 K / CRI >90

#### DESCRIPTION

The Jango series is composed by small fixed and adjustable projectors, of round or square shape, with different recess depths and equipped with both on / off and phase cut dimmable driver. A complete range for the realization of lighting accents with a quality light: the high color rendering CoB LEDs CR I > 90 and SDCM < 3 enhance colors of the illuminated objects with an intense and bright light; reflectors are specular with progressive curved faces for a better diffusion of light within the emission beam angle.

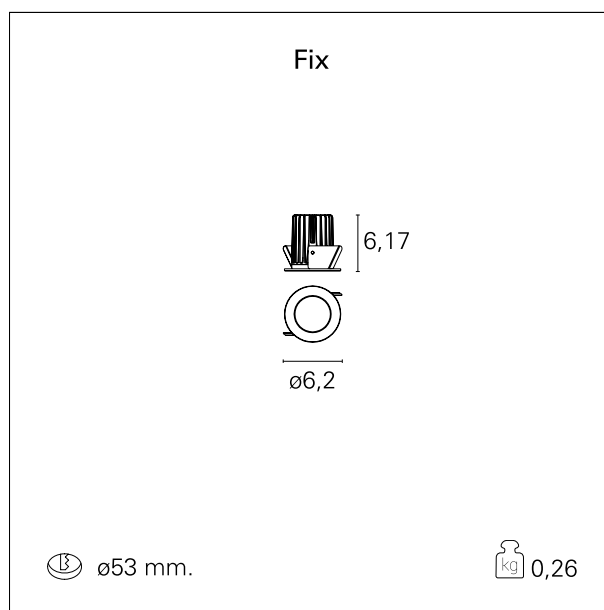


Switch

On+Off

#### PRODUCTS CHARACTERISTICS

installation type	<b>Recessed Spotlights</b>
material	<b>Aluminum</b>
Color	<b>White</b>
Power	<b>9 W</b>
Lumen output - Full emission	<b>815 lm</b>
Efficacy	<b>91 lm/W</b>
Diameter	<b>ø 6,2 mm.</b>
net weight	<b>0,26 kg.</b>



#### ELECTRICAL CHARACTERISTICS

feeding	<b>220÷240 V</b>
driver	<b>On+Off</b>
Insulation class	<b>Class I</b>

#### MECHANICAL CHARACTERISTICS

product IP rate	<b>IP20</b>
-----------------	-------------

### Jango Tondo

INC1180 - Fixed - 9 W / 3000 K / CRI >90

#### HOLE RECESS DIMENSIONS

hole recess diameter **ø 53 mm.**

#### LED SOURCE DETAILS

led source type	<b>CoB Led</b>
Photobiological risk	<b>RG 1 Low risk ( IEC 62471 )</b>
LED brand	<b>Cree CXA*</b>
Service lifetime	<b>L80 / B20 - 50.000 h.</b>
Light temperature	<b>3000 K</b>
CRI	<b>CRI &gt;90</b>
SDCM	<b>&lt; 3</b>

#### DRIVER CHARACTERISTICS

driver	<b>On÷Off</b>
Operating temperature	<b>-20°C ÷ 45°C</b>

#### LIGHTING DETAILS

emission	<b>rotationally symmetrical</b>
luminous effect	<b>flood</b>
optic	<b>40°</b>
Beam angle - direct	<b>40°</b>

#### PHOTOMETRIC

### Jango Tondo

INC1180 - Fixed - 9 W / 3000 K / CRI >90

